

3 mm Square SMT Trimmer Potentiometers (Cermet, Open Frame Type)

Type: **EVM3Y**
EVM3S
EVM3R



3Y



3S



3R

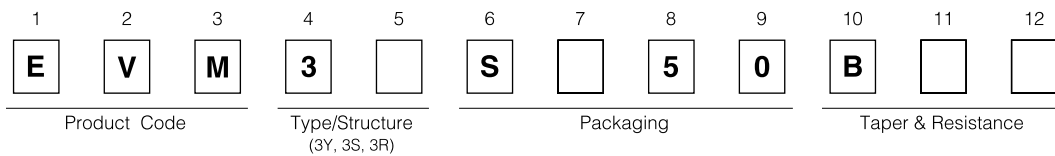
■ Features

- Automatic adjustment type (EVM3Y)
- Both sides adjust type (EVM3S)
- Back side adjust type and low-profile 0.9 mm (1.0 mm max.) EVM3R
- High reliability realized by cermet element
- Excellent mountability by the plate shape fittable for each placing-head
- Conforming to JIS C5260-1:1999

■ Recommended Applications

- Audio visual equipment, Office Automation equipment, Communication equipment
- Other general electronic equipments

■ Explanation of Part Numbers



■ Major Specifications

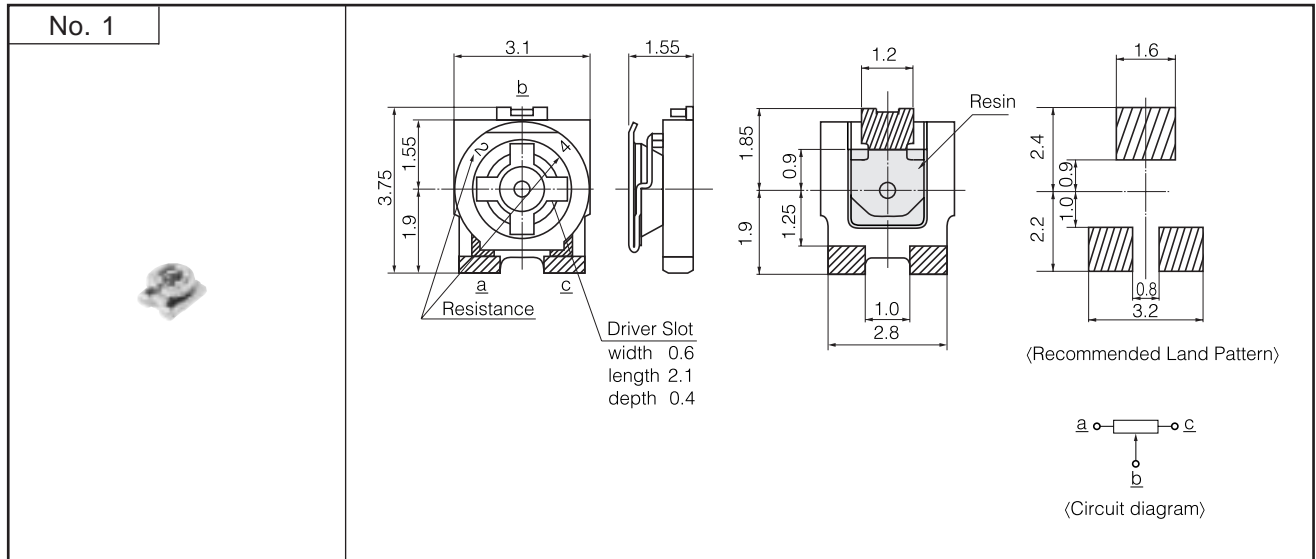
| | |
|---------------------------------------|--|
| Total Resistance Value | EVM3Y·3S : 100 Ω to 1 MΩ / EVM3R : 500 Ω to 1 MΩ |
| Resistance Tolerance | ±25 % |
| Power Rating | 0.15 W |
| Maximum Operating Voltage | 50 V |
| Rotation Torque | EVM3Y, 3S : 2 to 20 mN·m / EVM3R : 1 to 20 mN·m |
| Temperature Coefficient of Resistance | ±250 × 10 ⁻⁶ /°C |

■ Minimum Quantity/Packing Unit

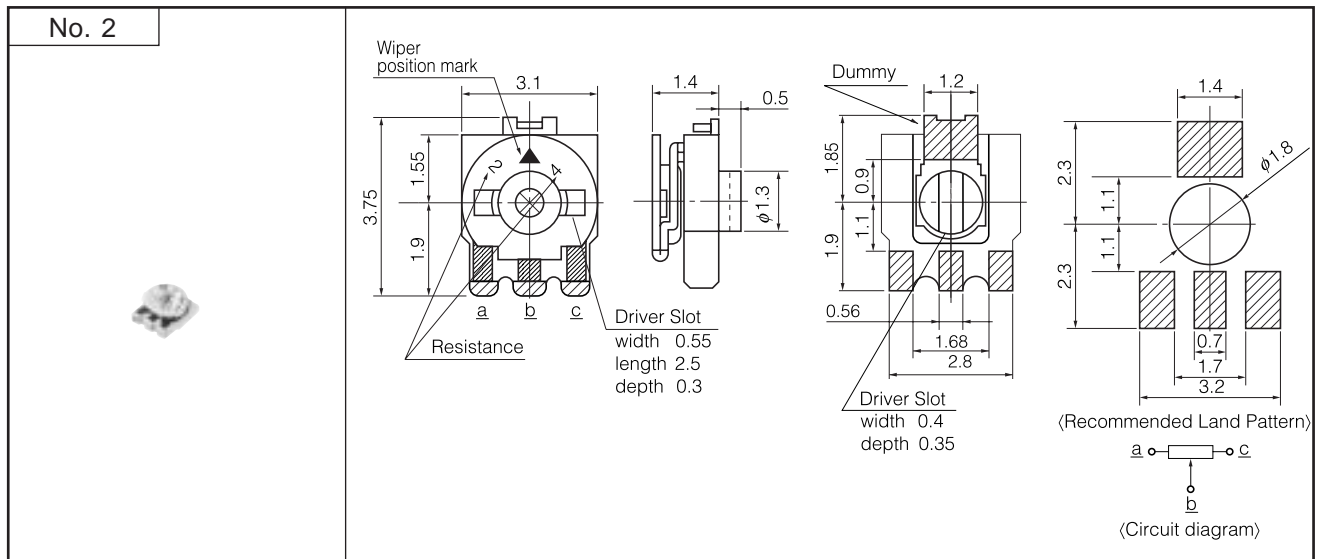
| Part Number | Taping | | |
|-------------------------|-------------------|--------------------|-------------------|
| | Quantity per reel | Packaging quantity | Dia. of reel (mm) |
| EVM3Y EVM3S EVM3R | 2000 | 10000 | φ178 |

■ Dimensions in mm (not to scale)

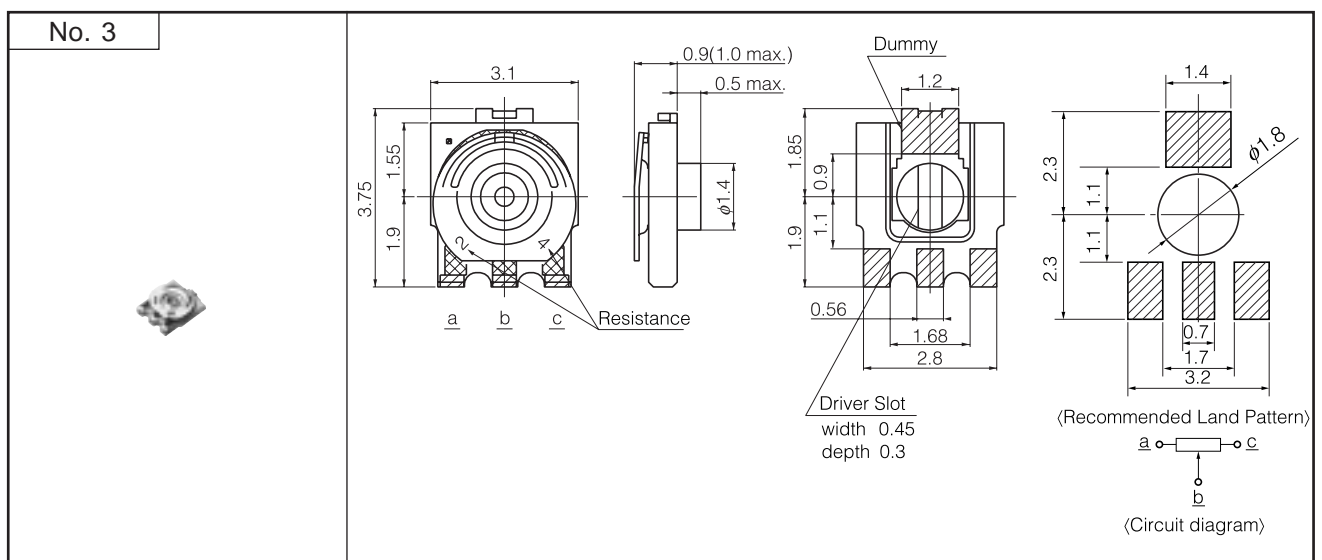
● 3-terminal, for Automatic Trimming Adjustment/Low-profile EVM3Y



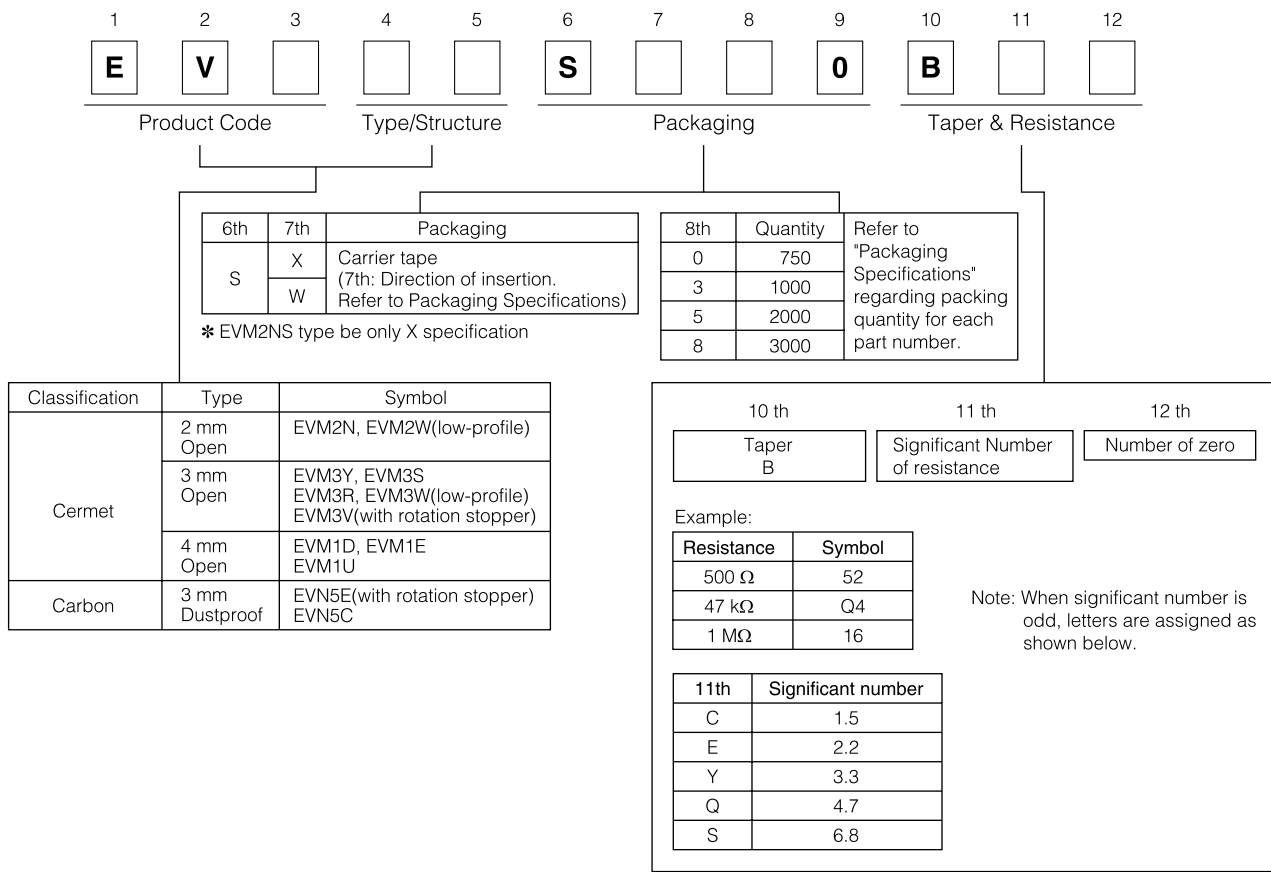
● 3-terminal, Both Sides Adjust EVM3S



● 3-terminal, Back Side Adjust EVM3R



■ Explanation of Part Numbers



About packing specification

Packing specification make the reel of $\phi 178$ the standards.

Please consult with us, in the case that you request other packing structures.

(Bulk, Reel of $\phi 330$, Reel of $\phi 380$)