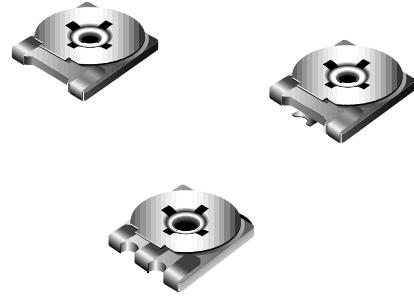


4mm Square SMT Trimmer Potentiometers (Cermet, Open Frame Type)

Type: EVM1□□



■ Features

- 4mm square series for reflow soldering
- Excellent mounting efficiency

■ Recommended Applications

- Audio visual equipment, home electrical appliances

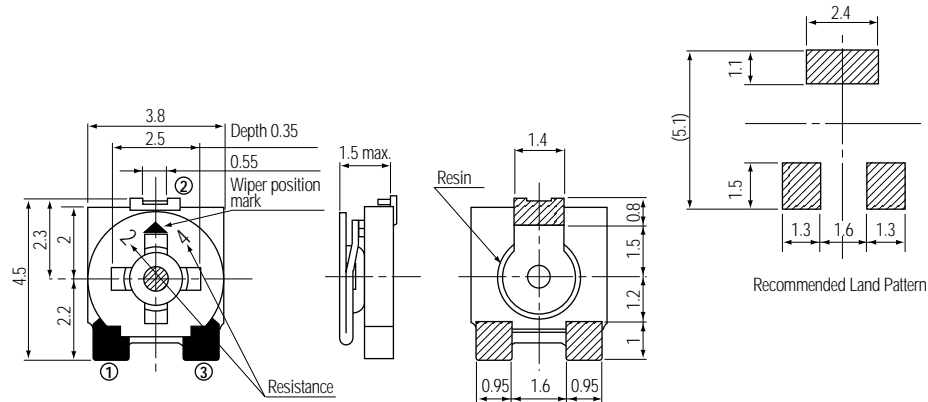
■ Major Specifications

Nominal total resistance	100Ω to 1MΩ	Max. operating voltage	50V
Resistance tolerance	± 25%	Sliding noise	5% max. of nominal total resistance
Power rating	0.2W	Rotation torque	2 to 20 mN · m (20 to 200 gf · cm)

■ Dimensions in mm (not to scale)

EVM1D: 3-terminal, cross-slot

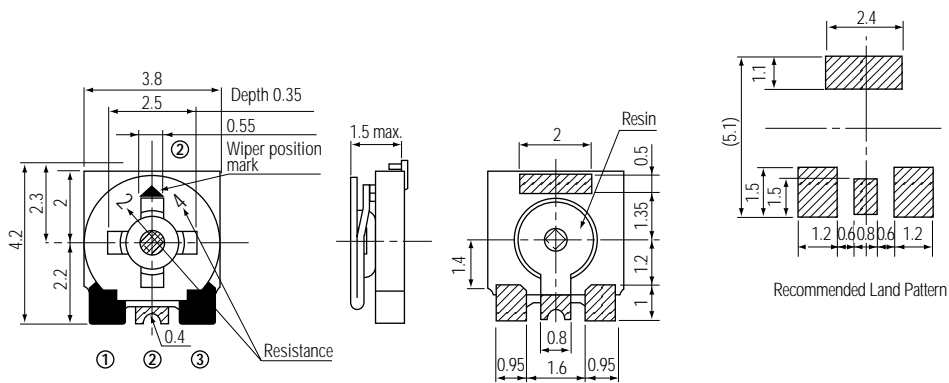
No. 1



Registered by EIAJ-SMD Outline Registration System

EVM1E: 3-terminal, cross-slot

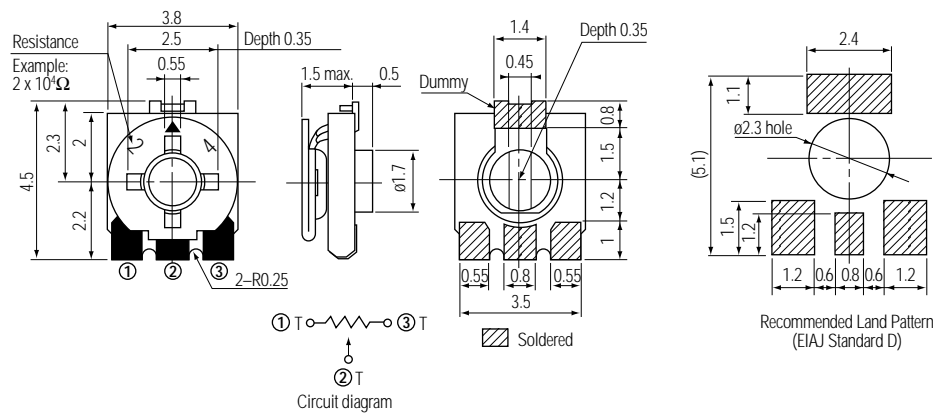
No. 2



Registered by EIAJ-SMD Outline Registration System

EVM1U: 3-terminal, cross-slot, both sides adjust

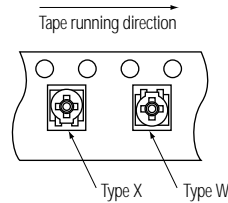
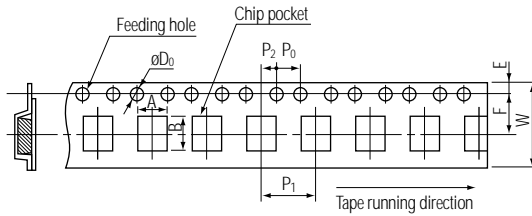
No. 3



Registered by EIAJ-SMD Outline Registration System

■ Packaging Specifications

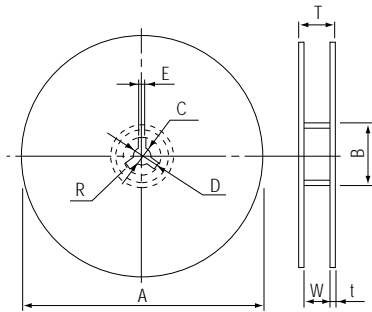
Embossed Taping and Dimensions in mm



X or W shown in the 7th position of the part number.

Type	W	F	E	P ₁	P ₂	P ₀	øD ₀	t
4mm Open	12	5.5	1.75	8	8	3.5	17.5	0.3
3mm Sealed								
3mm Open	8	3.5	1.75	4	2	4	1.5	0.3
2mm Open								
3mm Dustproof (Carbon)								

Reel and Dimensions in mm



Type	A dia.	B dia.	C	D	E	W	T
4mm Open	178 ± 2.0	60 min.	13 ± 0.5	21 ± 0.8	2 ± 0.5	13 ± 1.5	18.4 max.
3mm Sealed	380 ± 2.0	60 min.	13 ± 0.5	21 ± 0.8	2 ± 0.5	13 ± 1.5	18.4 max.
3mm Open	178 ± 2.0	60 min.	13 ± 0.5	21 ± 0.8	2 ± 0.5	9 ± 1.5	14.4 max.
2mm Open							
3mm Dustproof (Carbon)	380 ± 2.0	60 min.	13 ± 0.5	21 ± 0.8	2 ± 0.5	9 ± 1.5	14.4 max.

■ Minimum Quantity/Packing Unit

Type	Part No.	Taping		Bulk		Dimensions of Reel (Dia.)
		Quantity Per Reel	Packaging Quantity	Quantity Per Pack	Packaging Quantity	
4mm Square Open	EVM1D EVM1E EVM1U	1,000	4,000	500	5,000	ø178
		5,000	20,000			ø380
3mm Square Open	EVM1D EVM1E EVM1U	2,000	10,000	500	5,000	ø178
		10,000	40,000			ø380
2mm Square Open	EVM1X EVM2X	2,000	10,000	500	5,000	ø178
		10,000	40,000			ø380
3mm Square Sealed	EVM7J	1,000	4,000	500	5,000	ø178
		5,000	20,000			ø380
	EVM7L	750	4,000	500	5,000	ø178
3mm Square Carbon Dustproof	EVN5E EVN5C	2,000	10,000	500	5,000	ø178
		10,000	40,000			ø380