

To all our customers

Regarding the change of names mentioned in the document, such as Mitsubishi Electric and Mitsubishi XX, to Renesas Technology Corp.

The semiconductor operations of Hitachi and Mitsubishi Electric were transferred to Renesas Technology Corporation on April 1st 2003. These operations include microcomputer, logic, analog and discrete devices, and memory chips other than DRAMs (flash memory, SRAMs etc.) Accordingly, although Mitsubishi Electric, Mitsubishi Electric Corporation, Mitsubishi Semiconductors, and other Mitsubishi brand names are mentioned in the document, these names have in fact all been changed to Renesas Technology Corp. Thank you for your understanding. Except for our corporate trademark, logo and corporate statement, no changes whatsoever have been made to the contents of the document, and these changes do not constitute any alteration to the contents of the document itself.

Note : Mitsubishi Electric will continue the business operations of high frequency & optical devices and power devices.

Renesas Technology Corp.
Customer Support Dept.
April 1, 2003

CT20ASJ-8

STROBE FLASHER USE

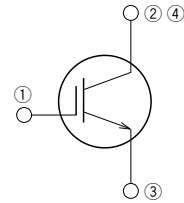
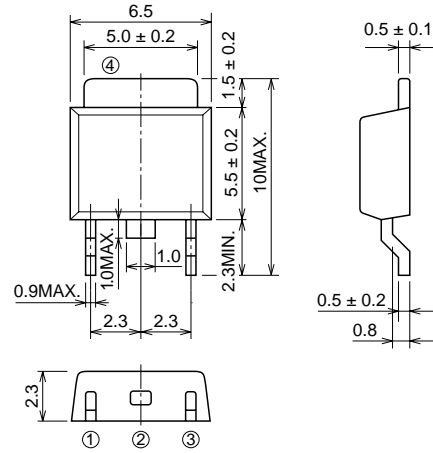
CT20ASJ-8



- VCES 400V
- ICM 130A
- Drive Voltage VGE=4V
- Small Package MP-3

OUTLINE DRAWING

Dimensions in mm



- ① GATE
- ② COLLECTOR
- ③ EMITTER
- ④ COLLECTOR

MP-3

APPLICATION

Strobe Flasher.

MAXIMUM RATINGS (Tc = 25°C)

Symbol	Parameter	Conditions	Ratings	Unit
VCES	Collector-emitter voltage	VGE = 0V	400	V
VGES	Gate-emitter voltage		±6	V
VGEM	Peak gate-emitter voltage		±8	V
ICM	Collector current (Pulsed)	See figure 1	130	A
Tj	Junction temperature		-40 ~ +150	°C
Tstg	Storage temperature		-40 ~ +150	°C

ELECTRICAL CHARACTERISTICS (Tj = 25°C)

Symbol	Parameter	Test conditions	Limits			Unit
			Min.	Typ.	Max.	
V(BR)CES	Collector-emitter breakdown voltage	IC = 1mA, VGE = 0V	450	—	—	V
ICES	Collector-emitter leakage current	VCE = 400V, VGE = 0V	—	—	10	μA
IGES	Gate-emitter leakage current	VGE = ±6V, VCE = 0V	—	—	±0.1	μA
VGE(th)	Gate-emitter threshold voltage	VCE = 10V, IC = 1mA	—	—	1.5	V

PERFORMANCE CURVES

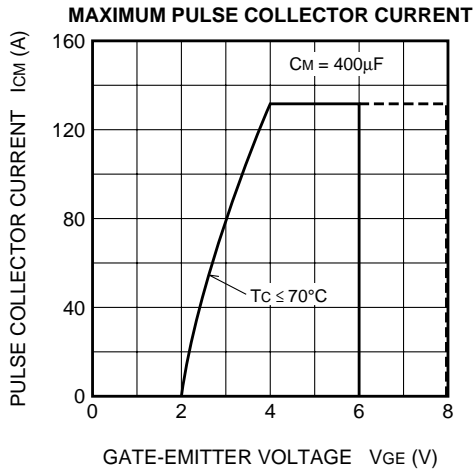
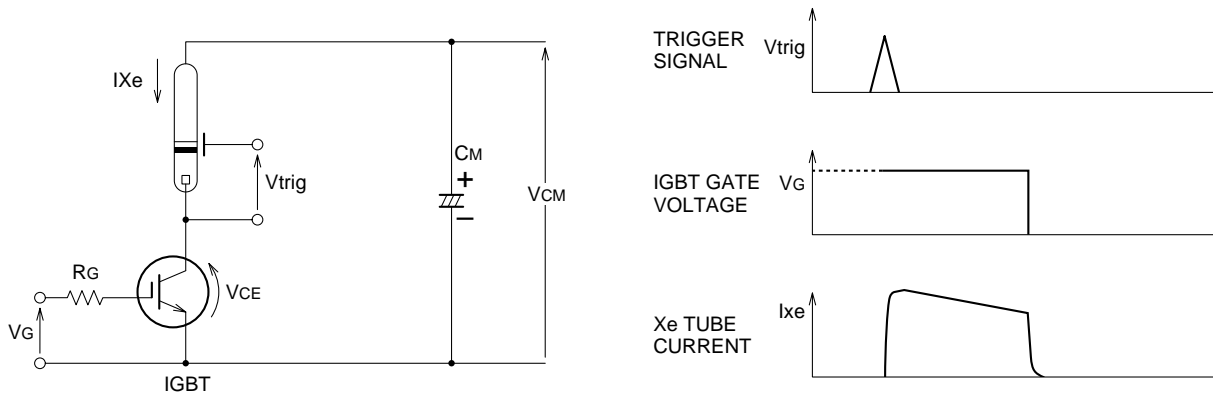


Figure 1

APPLICATION EXAMPLE



RECOMMEND CONDITION	MAXIMUM CONDITION
$V_{CM} = 330V$	350V
$I_{CP} = 120A$	130A
$C_M = 300\mu F$	400 μF
$V_{GE} = 5V$	

- Notice 1. Gate drive voltage during on-period must be applied to satisfy the rating of maximum pulse collector current. And reverse gate current during turn-off must be kept less than 0.1A. (In general, it is satisfied if $R_G \geq 30\Omega$)
- Notice 2. IGBT has MOS structure and its gate is insulated by thin silicon oxide. So please handle carefully not to suffer from electrostatic charge.
- Notice 3. The operation life should be endured 5,000 shots under the charge current ($I_{xe} \leq 130A$: full luminescence condition) of main condenser ($C_M=400\mu F$). Repetition period under full luminescence condition is over 3 seconds.
- Notice 4. Total operation hours must be applied within 5,000 hours.