

SHINDENGEN

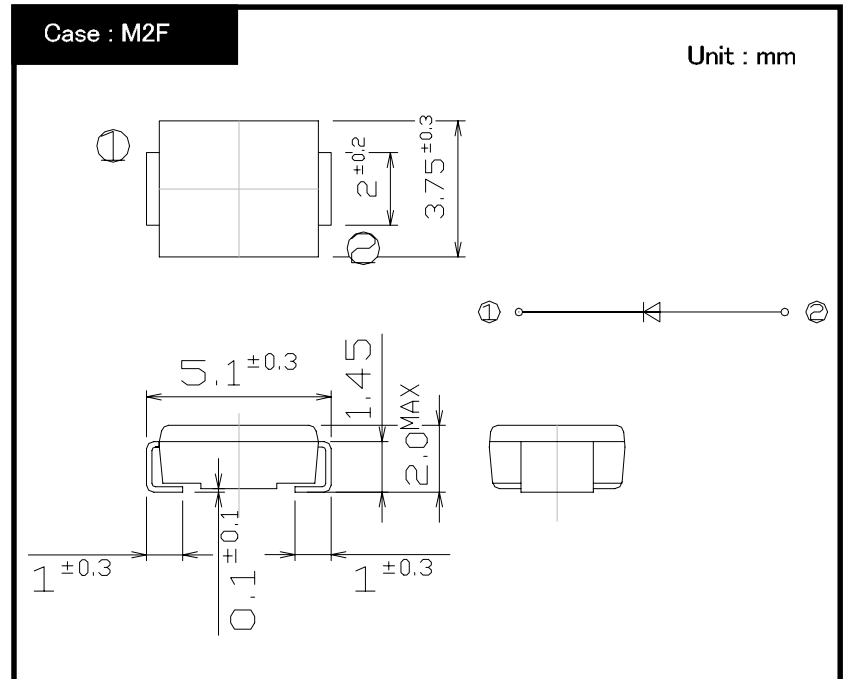
Schottky Rectifiers (SBD)

Single

M2FH3

30V 6A

OUTLINE DIMENSIONS



RATINGS

● Absolute Maximum Ratings (If not specified, Tc=25°C)

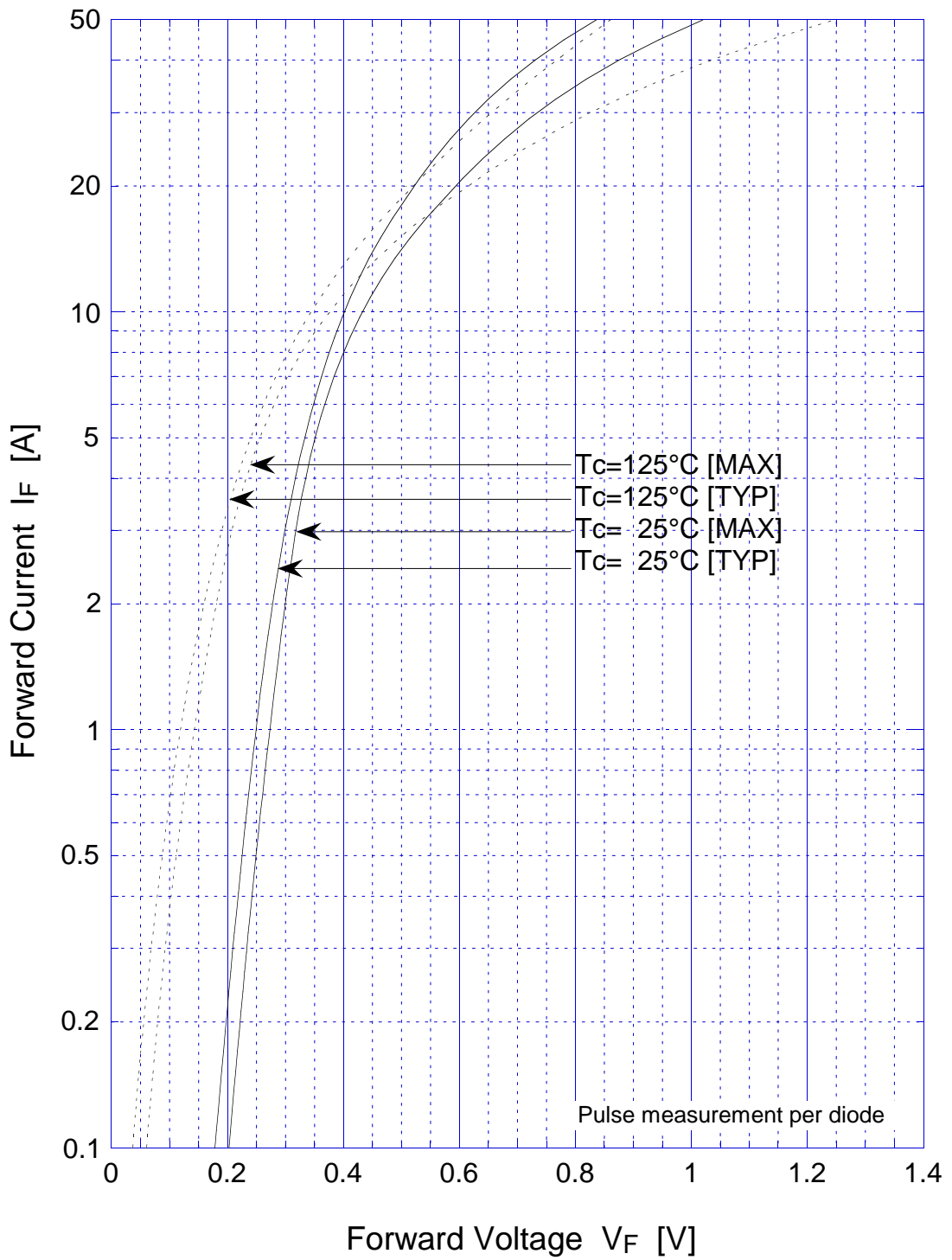
Item	Symbol	Conditions	Ratings	Unit
Storage Temperature	Tstg		-55 ~ 125	°C
Operating Junction Temperature	Tj		125	°C
Maximum Reverse Voltage	VRM		30	V
Average Rectified Forward Current	Io	50Hz sine wave, R-load Tc=70°C On glass-epoxy substrate	6	A
Peak Surge Forward Current	IFSM	50Hz sine wave, Non-repetitive 1 cycle peak value, Tj=25°C	110	A

● Electrical Characteristics (If not specified, Tc=25°C)

Item	Symbol	Conditions	Ratings	Unit
Forward Voltage	VF	IF=2.0A, Pulse measurement	Max.0.30	V
		IF=6.0A, Pulse measurement	Max.0.36	
Reverse Current	IR	VR=30V, Pulse measurement	Max.4.0	mA
Junction Capacitance	Cj	f=1MHz, VR=10V	Typ.240	pF
Thermal Resistance	θjc	junction to case	Max.14	°C/W
	θjl	junction to lead	Max.16	
	θja	junction to ambient On glass-epoxy substrate	Max.55	

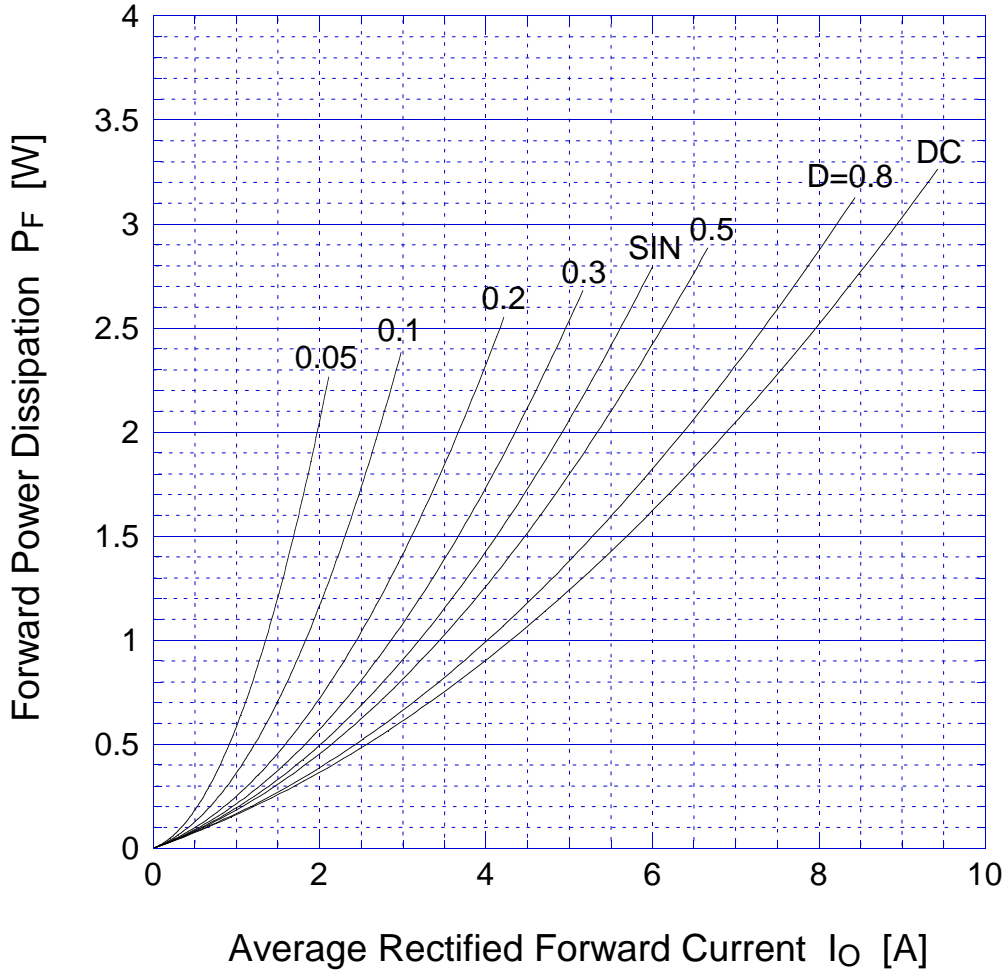
M2FH3

Forward Voltage

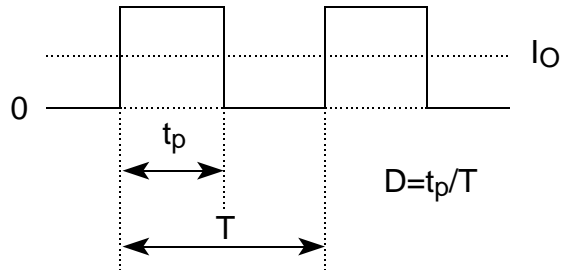


M2FH3

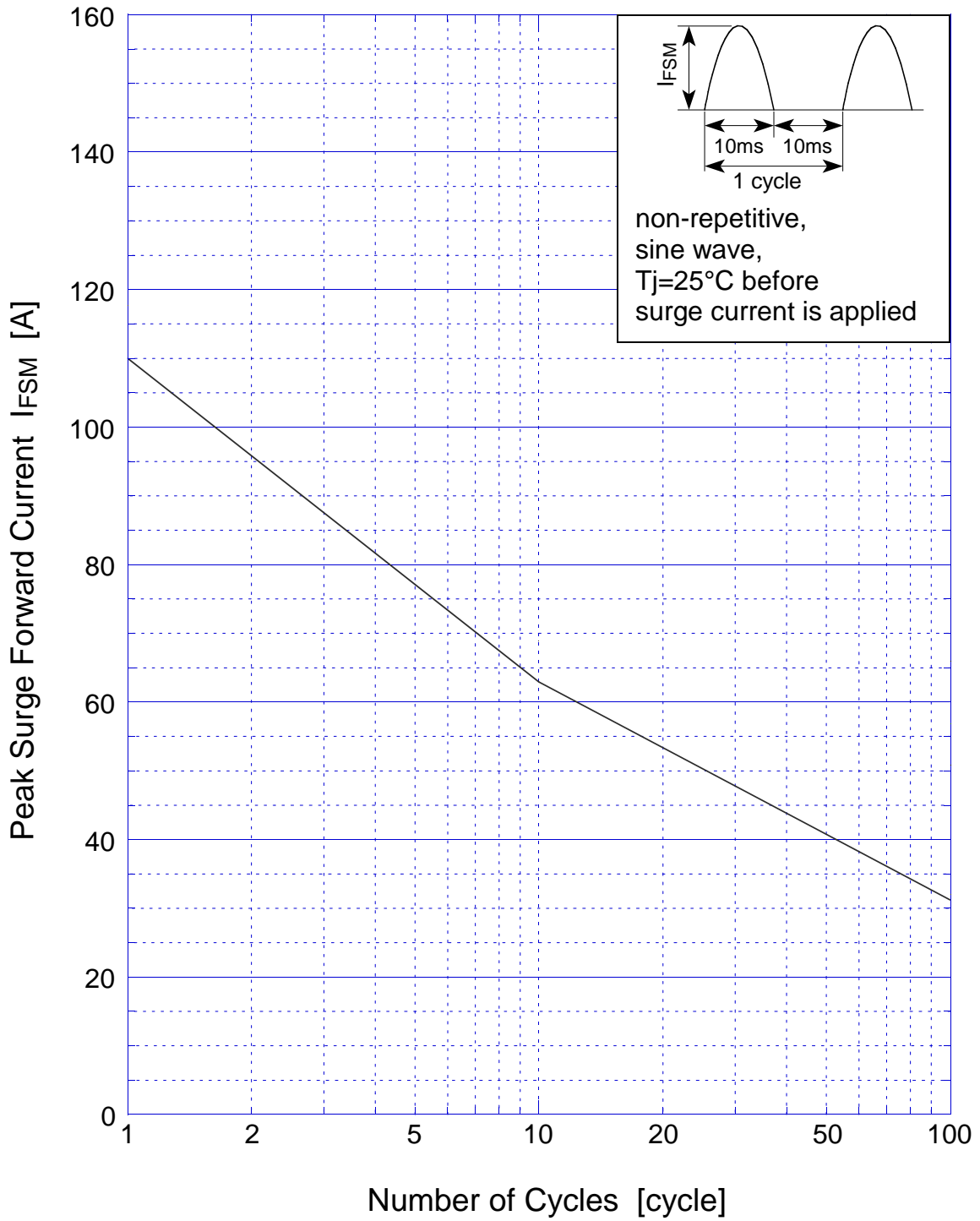
Forward Power Dissipation



$T_j = 125^\circ\text{C}$

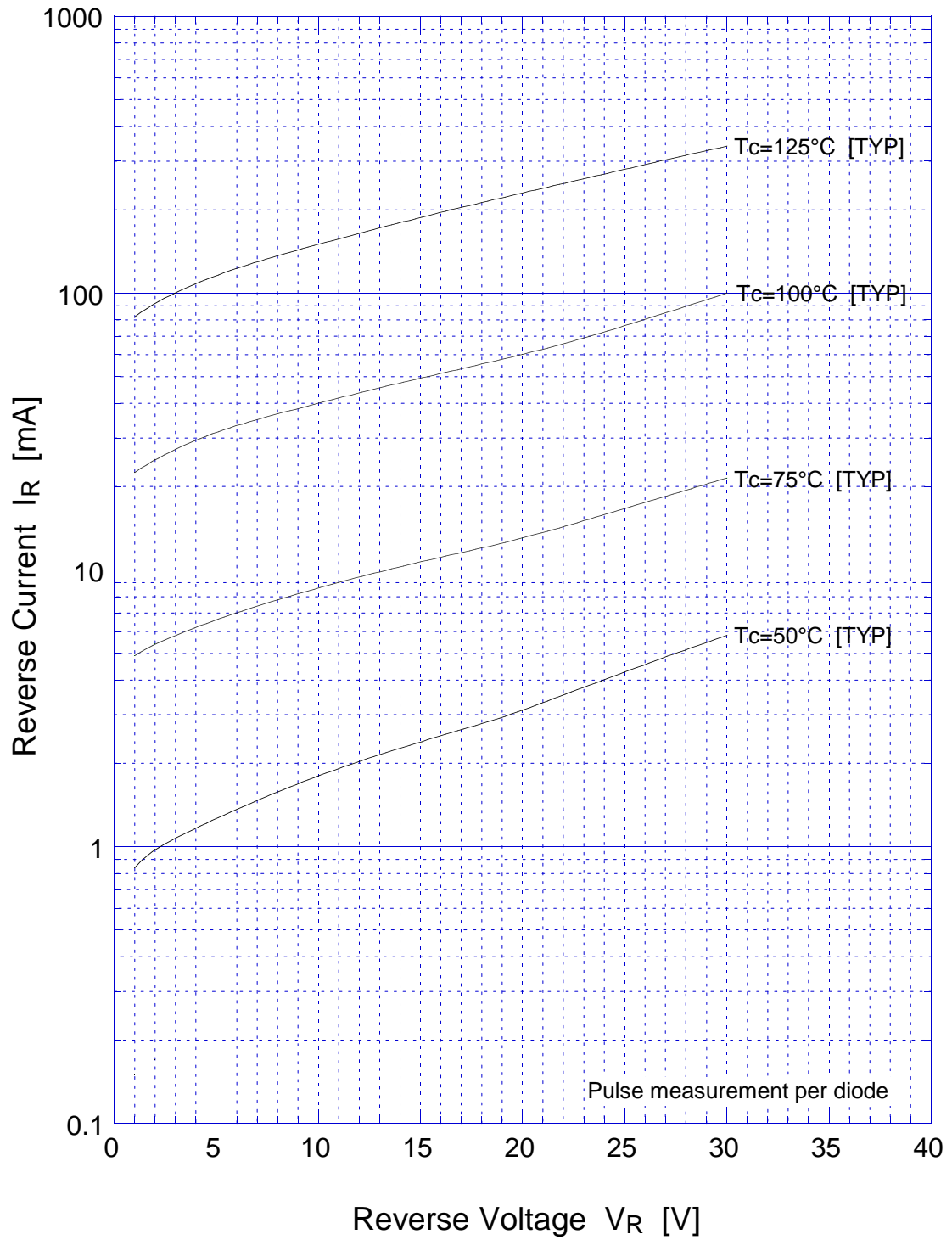


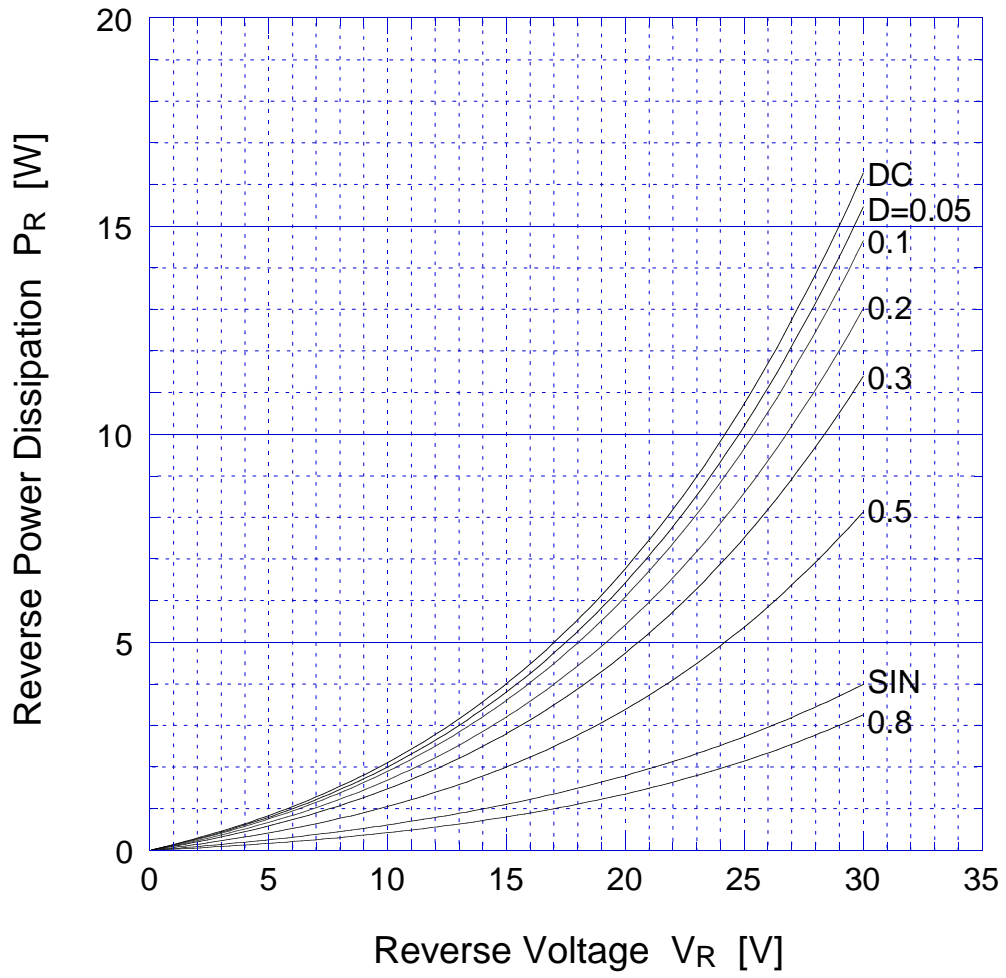
M2FH3 Peak Surge Forward Capability



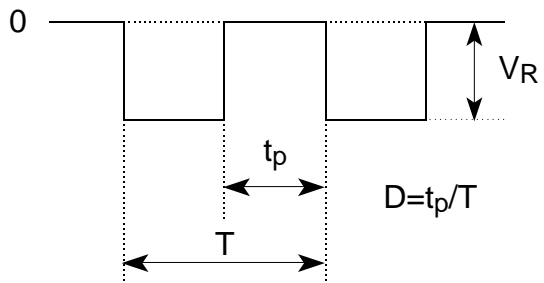
M2FH3

Reverse Current

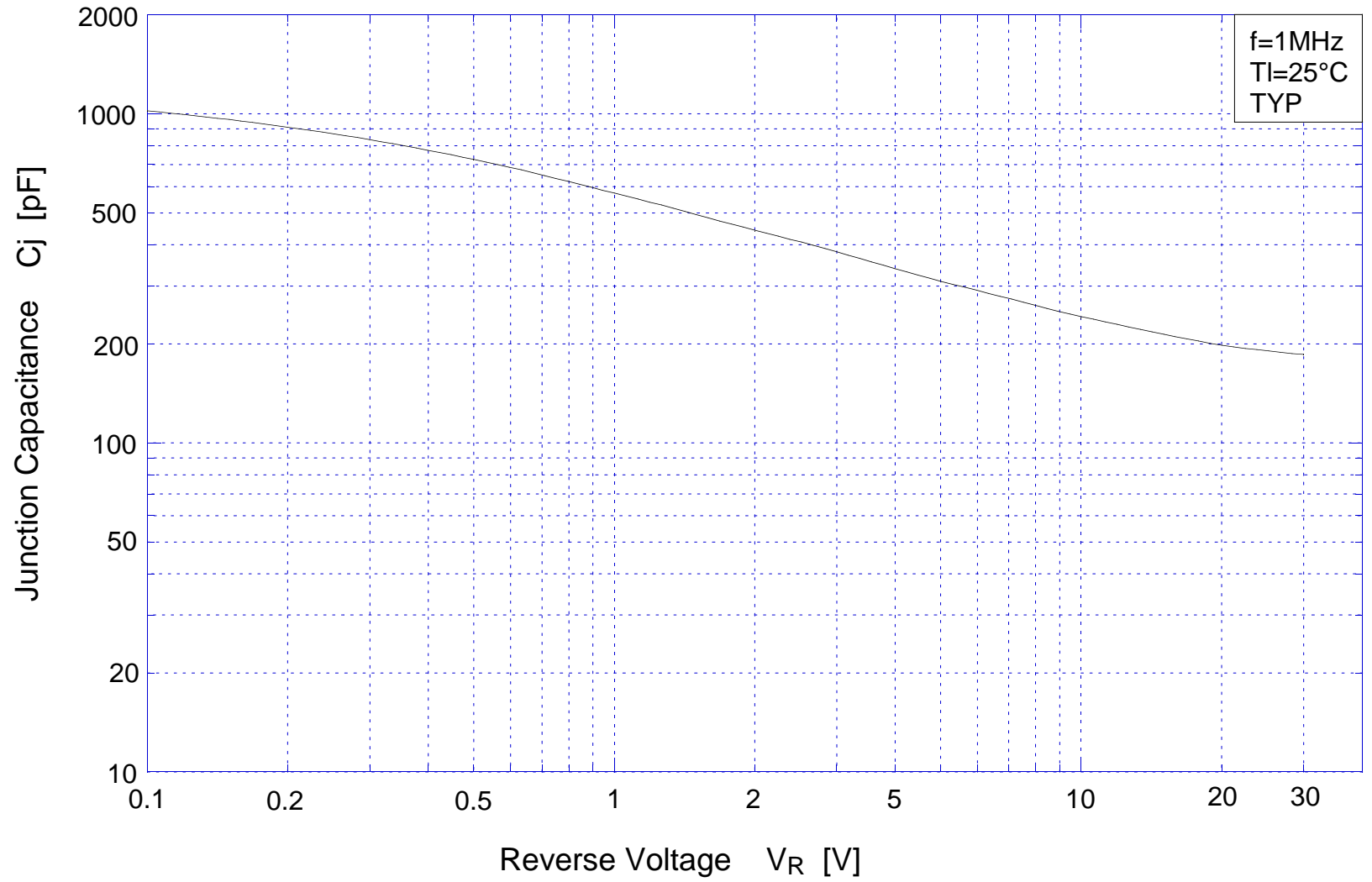




$T_j = 125^\circ\text{C}$

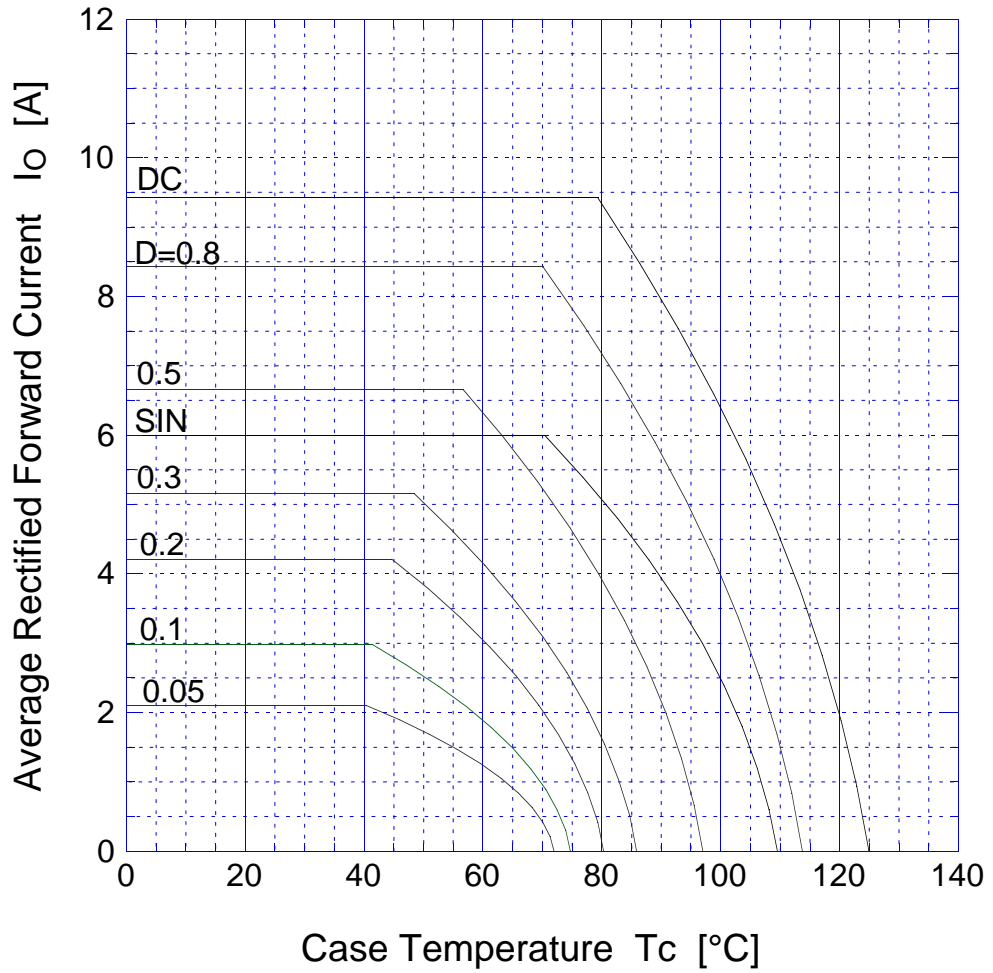


M2FH3 Junction Capacitance

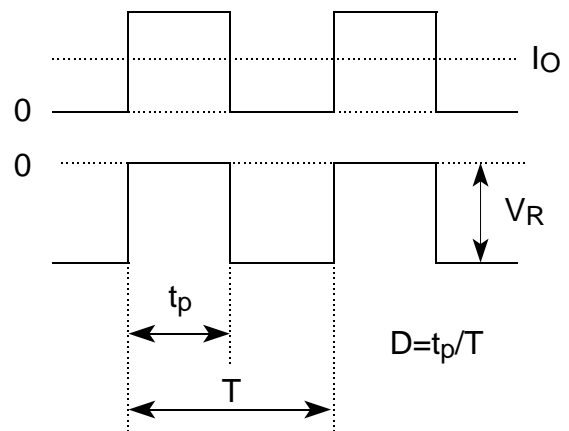


M2FH3

Derating Curve

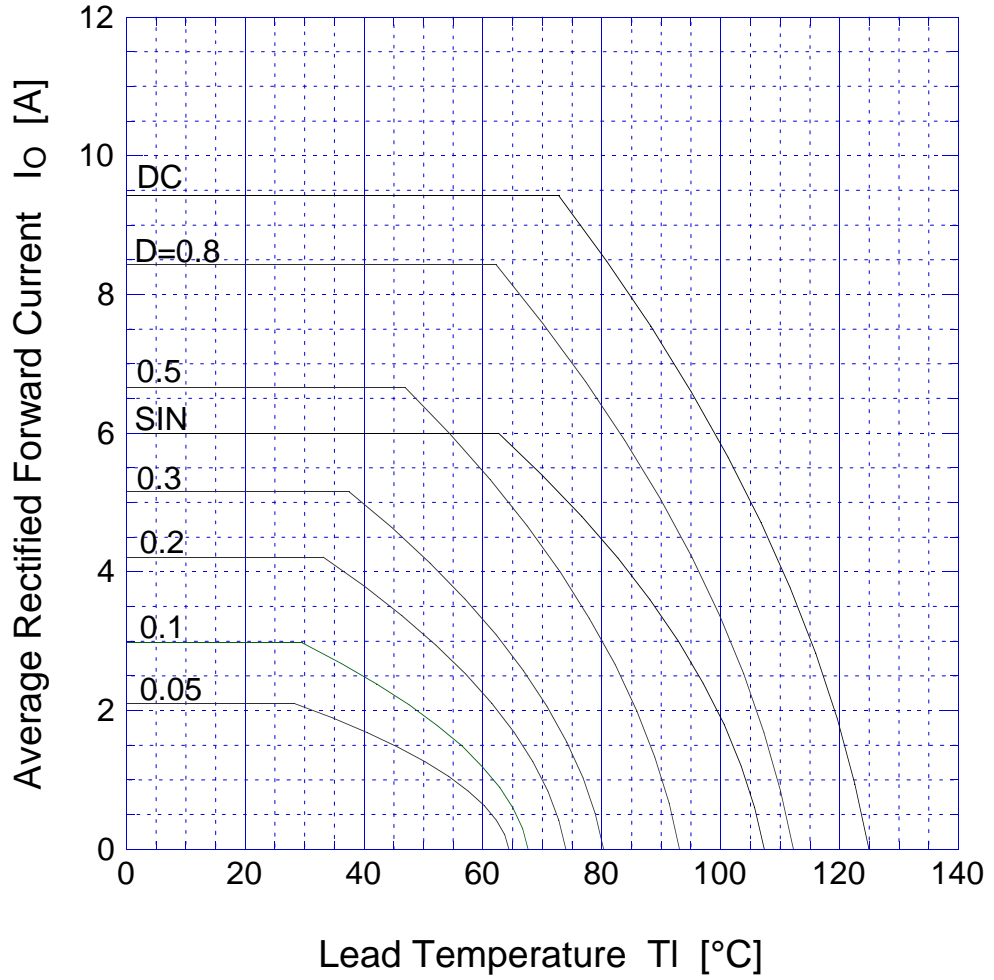


$V_R = 15V$

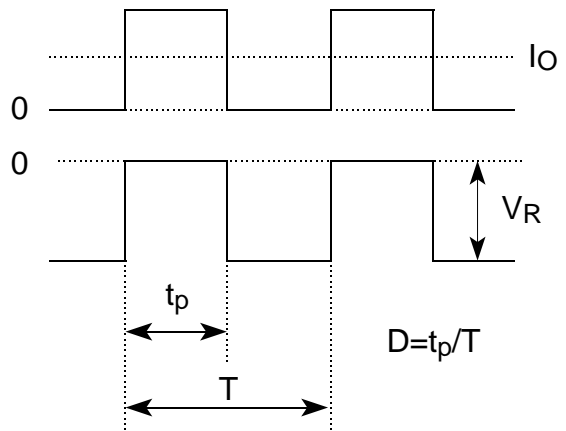


M2FH3

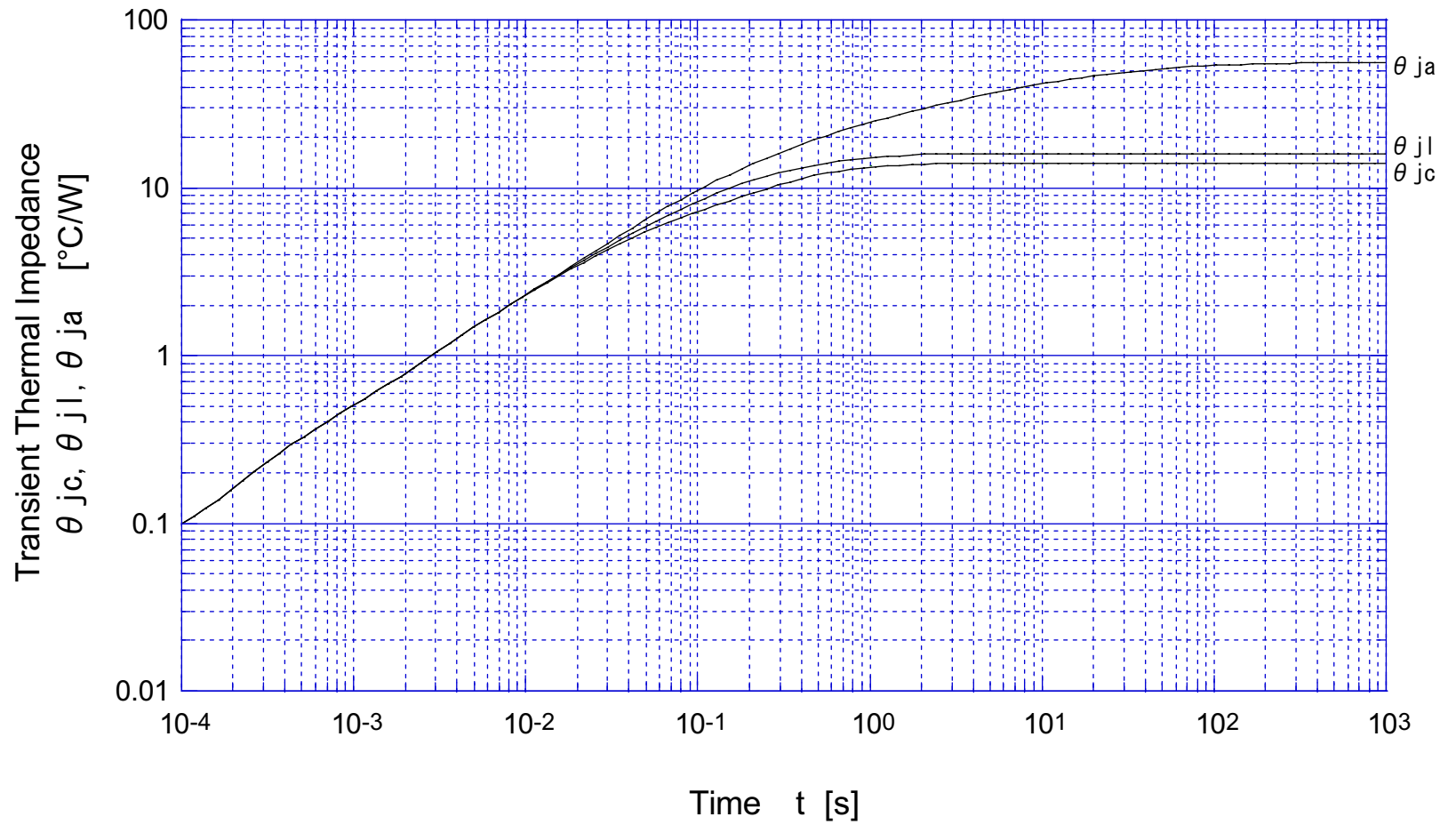
Derating Curve



$V_R = 15V$



M2FH3 Transient Thermal Impedance



M2FH3 θ_{ja} - Conductor pattern area

