

# SHINDENGEN

## Super Fast Recovery Rectifiers

Single

# DE5L60

**600V 5A**

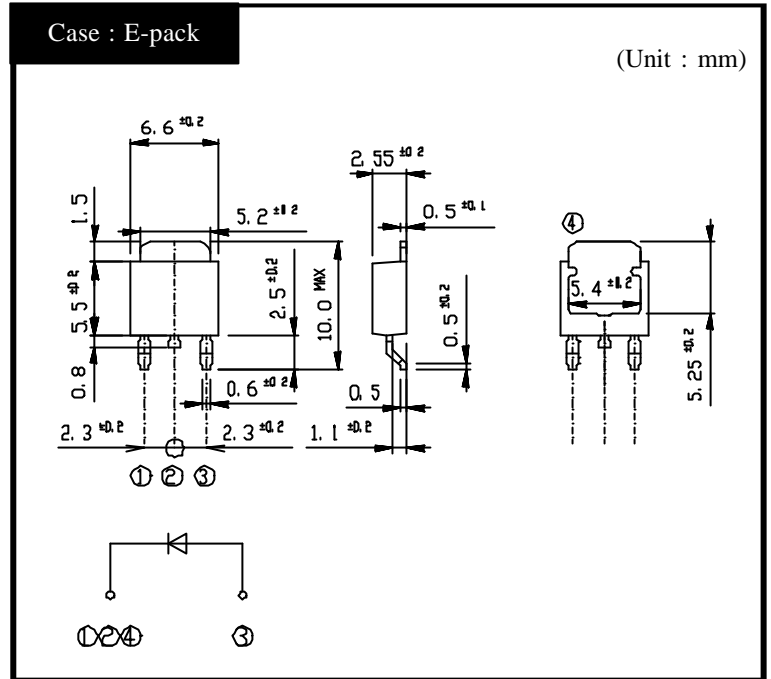
### FEATURES

SMT  
High Voltage  
trr50ns

### APPLICATION

PFC  
Switching power supply  
Free Wheel  
Home Appliances, Office Equipment,  
Factory Automation

### OUTLINE DIMENSIONS



### RATINGS

Absolute Maximum Ratings (If not specified Tc=25 )

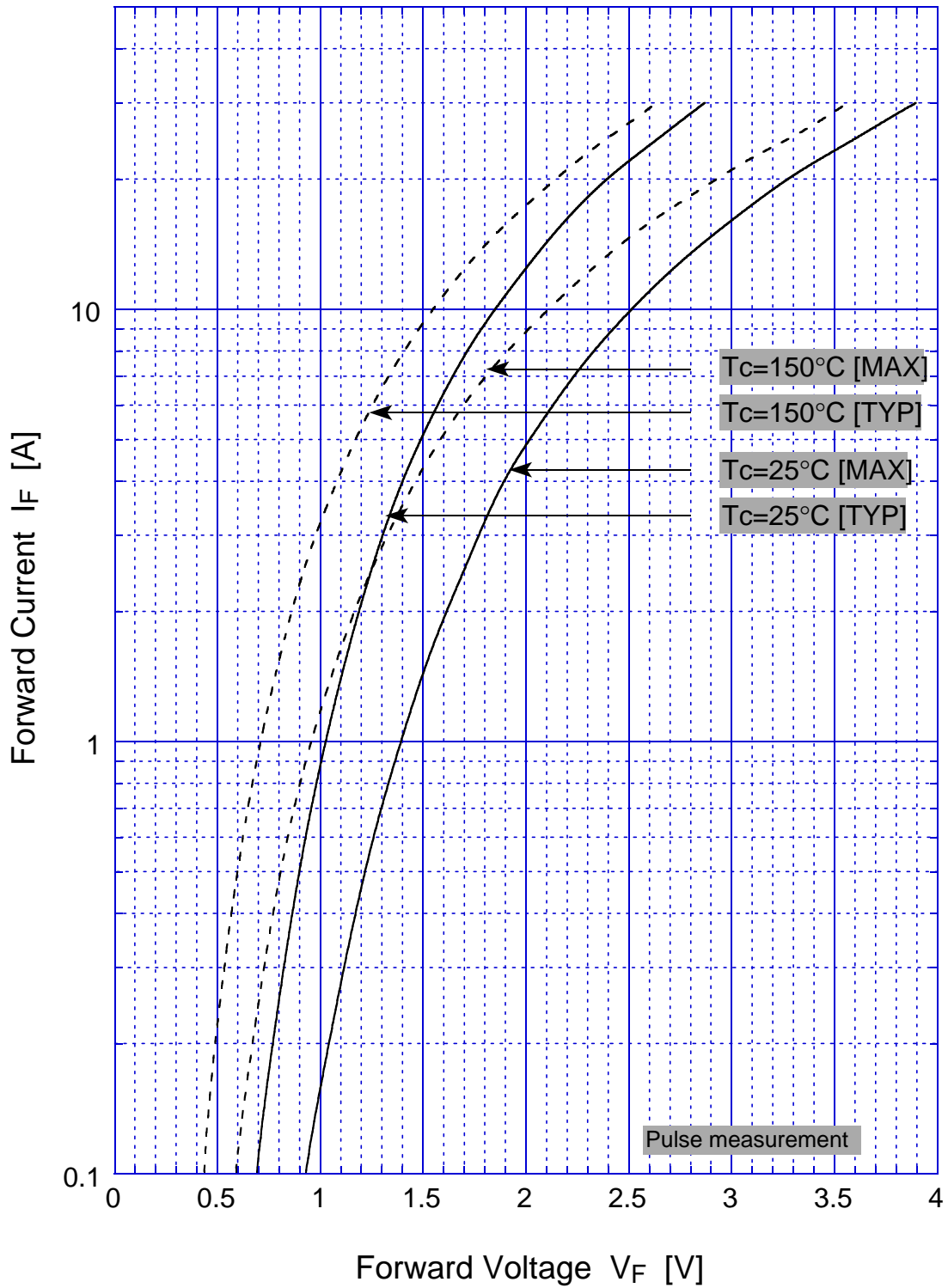
Item	Symbol	Conditions	Ratings	Unit
Storage Temperature	Tstg		-55 ~ 150	
Operating Junction Temperature	Tj		150	
Maximum Reverse Voltage	V <sub>RM</sub>		600	V
Average Rectified Forward Current	I <sub>O</sub>	50Hz sine wave, R-load, Tc=57	5	A
Peak Surge Forward Current	I <sub>FSM</sub>	50Hz sine wave, Non-repetitive 1 cycle peak value, Tj=25	60	A

Electrical Characteristics (If not specified Tc=25 )

Item	Symbol	Conditions	Ratings	Unit
Forward Voltage	V <sub>F</sub>	I <sub>F</sub> =5A, Pulse measurement	Max.2.00	V
Reverse Current	I <sub>R</sub>	V <sub>R</sub> =V <sub>RM</sub> , Pulse measurement	Max.10	μA
Reverse Recovery Time	t <sub>rr</sub>	I <sub>F</sub> =0.5A, I <sub>R</sub> =1A	Max.50	ns
Thermal Resistance	θ <sub>C</sub>	junction to case	Max.12	/W

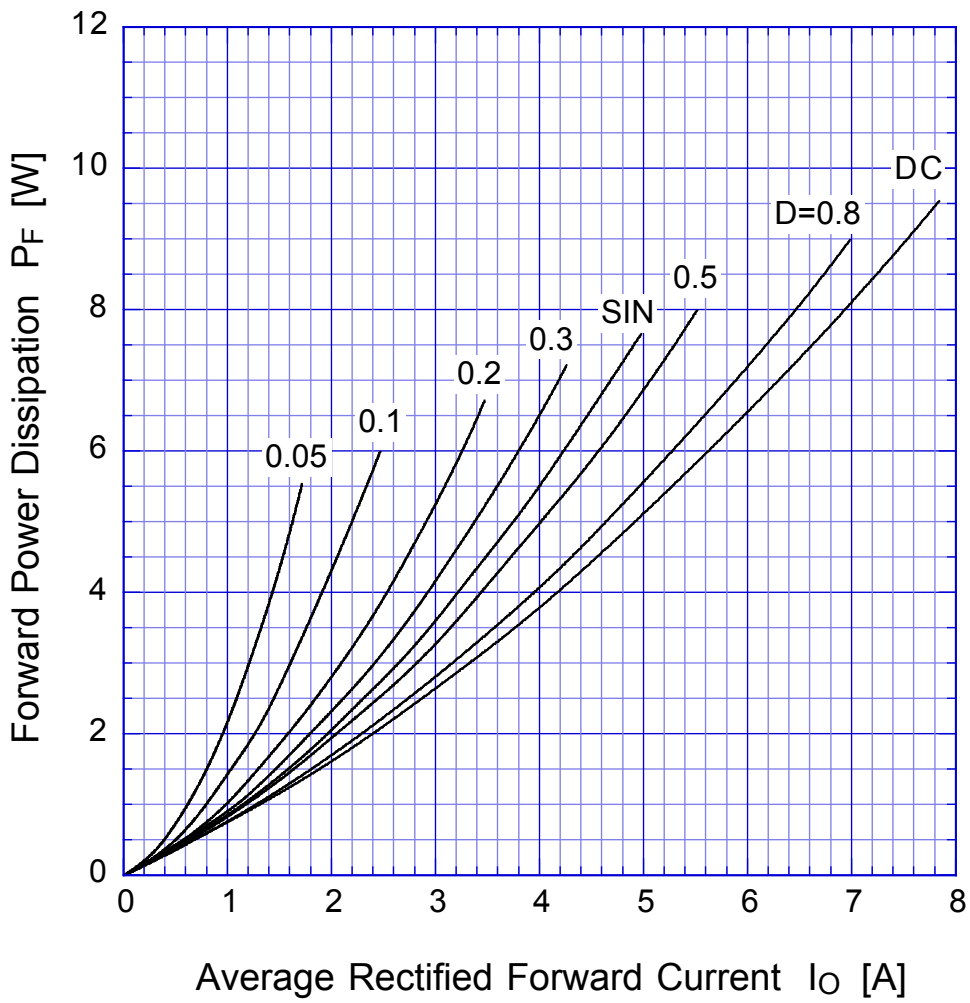
DE5L60

Forward Voltage

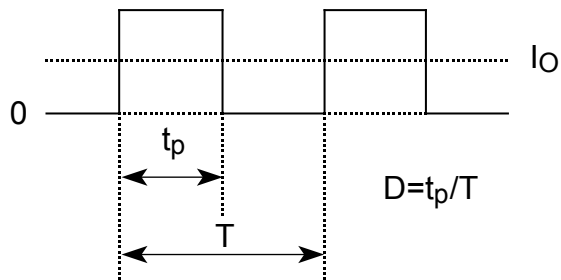


# DE5L60

## Forward Power Dissipation

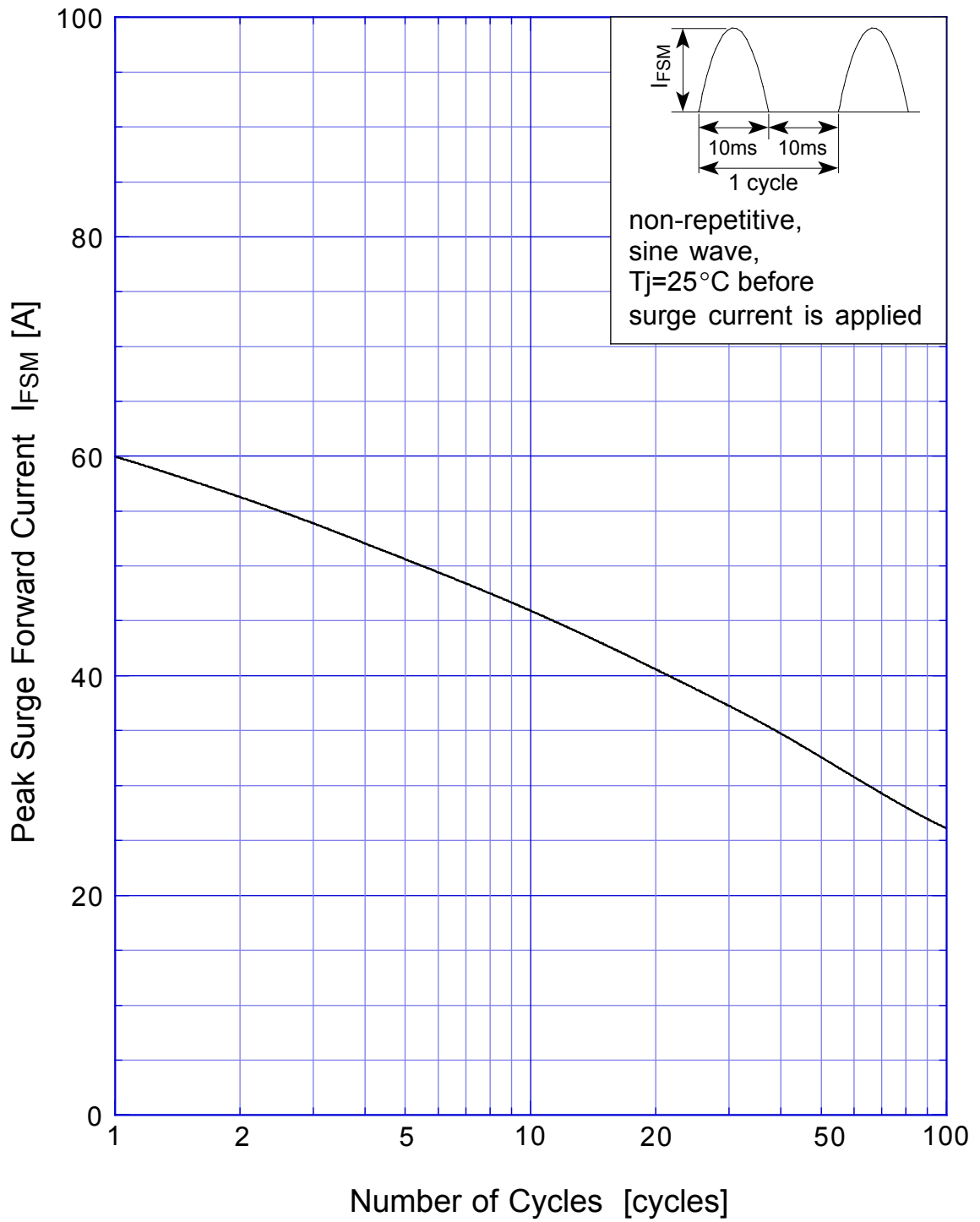


$T_j = 150^\circ\text{C}$



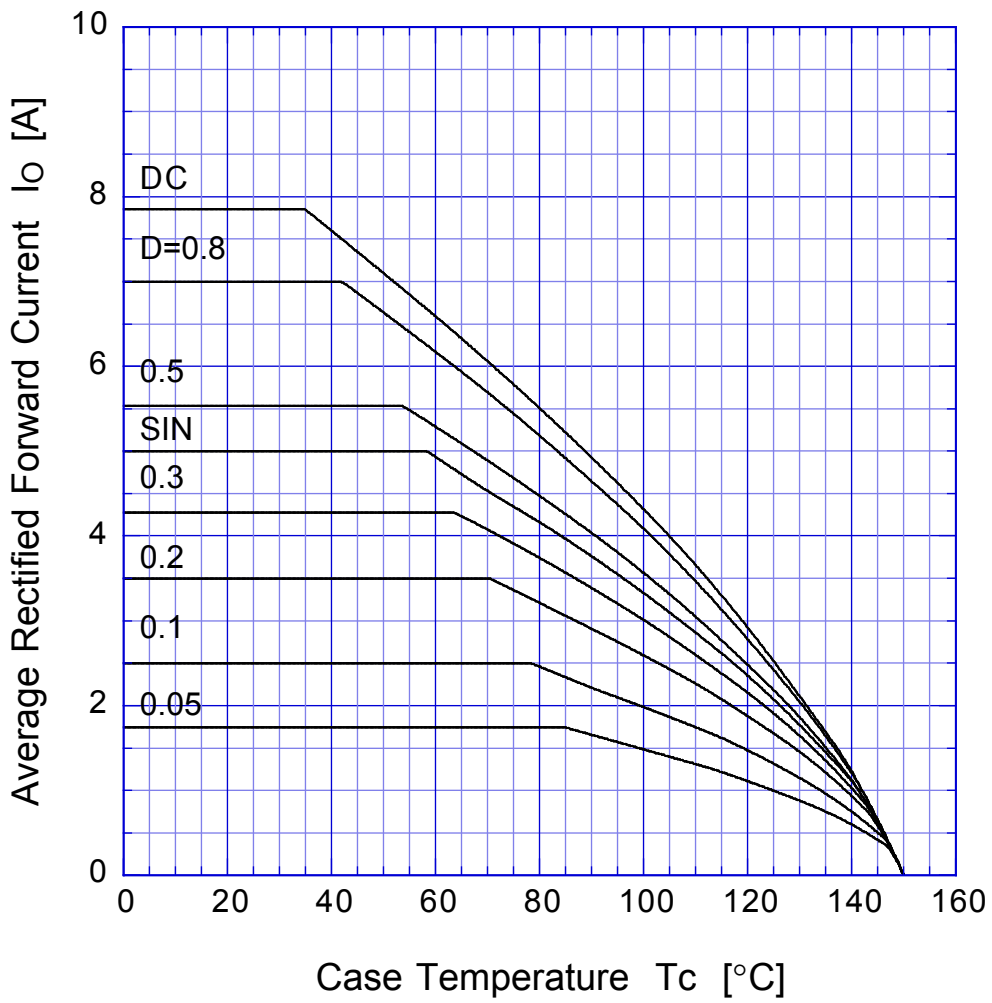
# DE5L60

## Peak Surge Forward Capability



# DE5L60

# Derating Curve



$V_R = 300V$



# DE5L60 Junction Capacitance

