

TOSHIBA TRANSISTOR SILICON NPN EPITAXIAL PLANAR TYPE

2SC5092

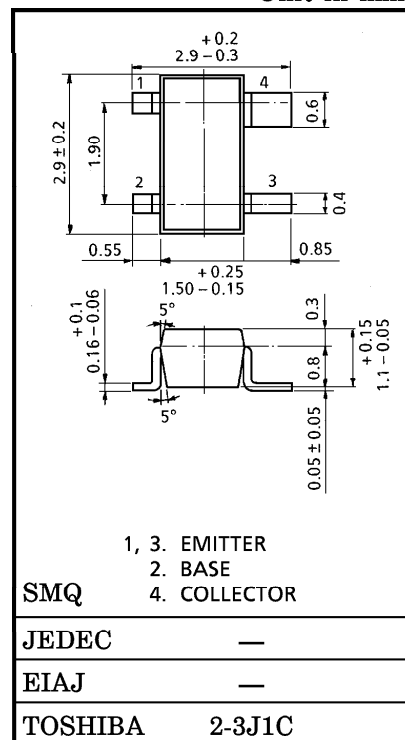
VHF~UHF BAND LOW NOISE AMPLIFIER APPLICATIONS

Unit in mm

- Low Noise Figure, High Gain.
- $NF=1.8dB$, $|S_{21e}|^2=9.5dB$ ($f=2GHz$)

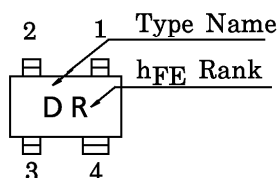
MAXIMUM RATINGS ($T_a = 25^\circ C$)

CHARACTERISTIC	SYMBOL	RATING	UNIT
Collector-Base Voltage	V_{CBO}	20	V
Collector-Emitter Voltage	V_{CEO}	10	V
Emitter-Base Voltage	V_{EBO}	1.5	V
Base Current	I_B	20	mA
Collector Current	I_C	40	mA
Collector Power Dissipation	P_C	150	mW
Junction Temperature	T_j	125	$^\circ C$
Storage Temperature Range	T_{stg}	-55~125	$^\circ C$



Weight : 0.012g

MARKING



MICROWAVE CHARACTERISTICS ($T_a = 25^\circ C$)

CHARACTERISTIC	SYMBOL	TEST CONDITION	MIN.	TYP.	MAX.	UNIT
Transition Frequency	f_T	$V_{CE}=8V, I_C=20mA$	7	10	—	GHz
Insertion Gain	$ S_{21e} ^2 (1)$	$V_{CE}=8V, I_C=20mA, f=1GHz$	12	15	—	dB
	$ S_{21e} ^2 (2)$	$V_{CE}=8V, I_C=20mA, f=2GHz$	6.5	9.5	—	
Noise Figure	NF (1)	$V_{CE}=8V, I_C=5mA, f=1GHz$	—	1.4	2.5	dB
	NF (2)	$V_{CE}=8V, I_C=5mA, f=2GHz$	—	1.8	3	

ELECTRICAL CHARACTERISTICS ($T_a = 25^\circ C$)

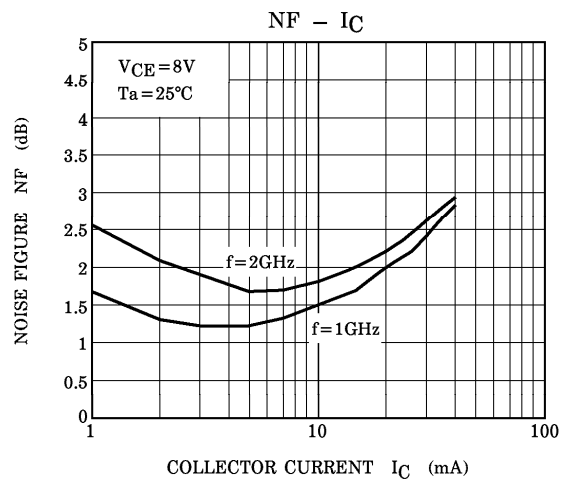
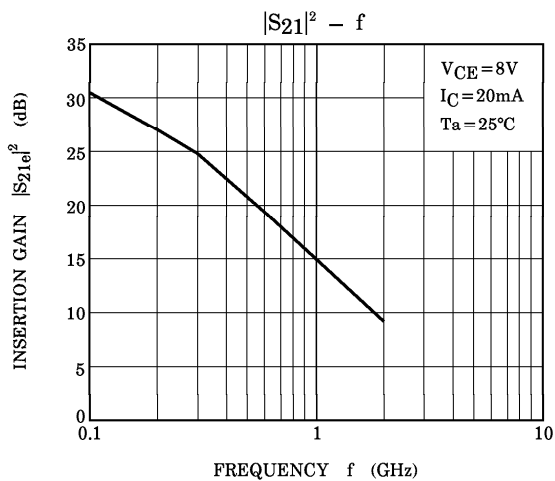
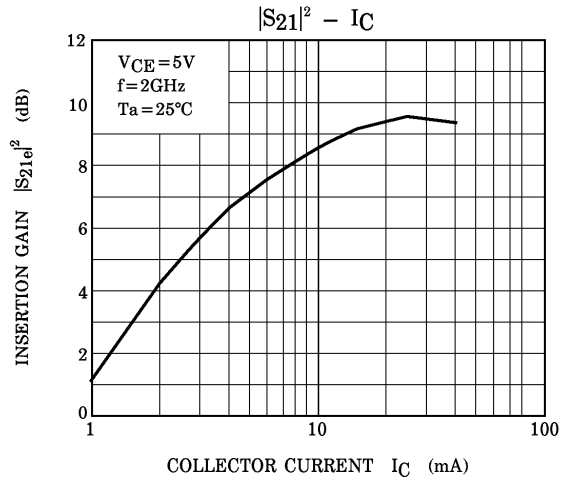
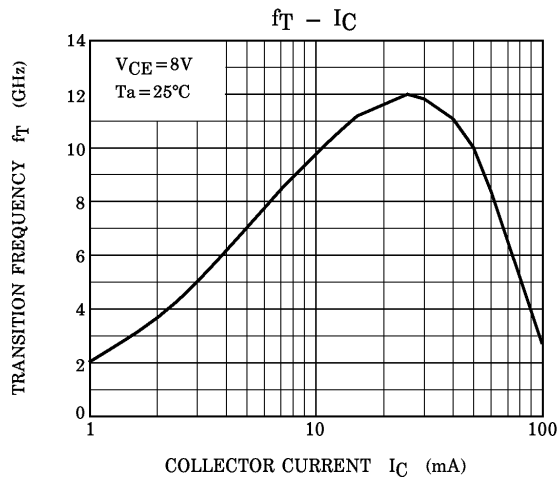
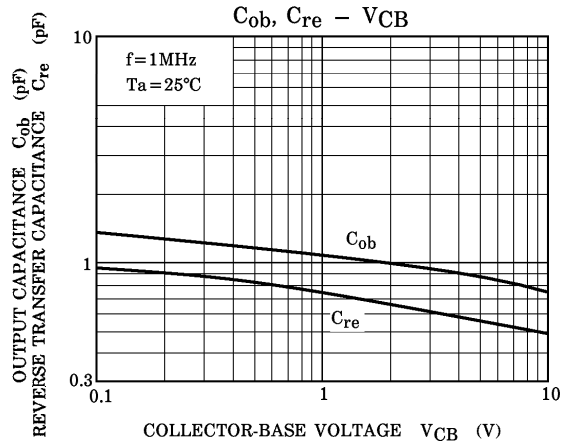
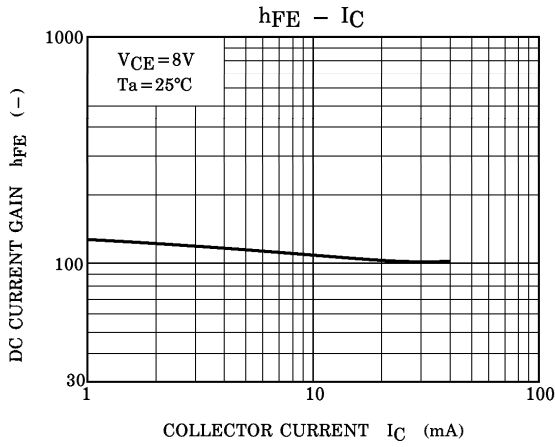
CHARACTERISTIC	SYMBOL	TEST CONDITION	MIN.	TYP.	MAX.	UNIT
Collector Cut-off Current	I_{CBO}	$V_{CB}=10V, I_E=0$	—	—	1	μA
Emitter Cut-off Current	I_{EBO}	$V_{EB}=1V, I_C=0$	—	—	1	μA
DC Current Gain	h_{FE} (Note 1)	$V_{CE}=8V, I_C=20mA$	50	—	160	—
Output Capacitance	C_{ob}	$V_{CB}=10V, I_E=0, f=1MHz$	—	0.7	1.1	pF
Reverse Transfer Capacitance	C_{re}		(Note 2)	—	0.45	0.95

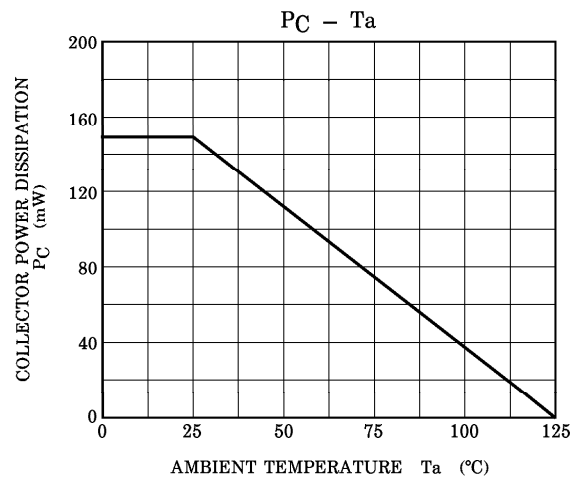
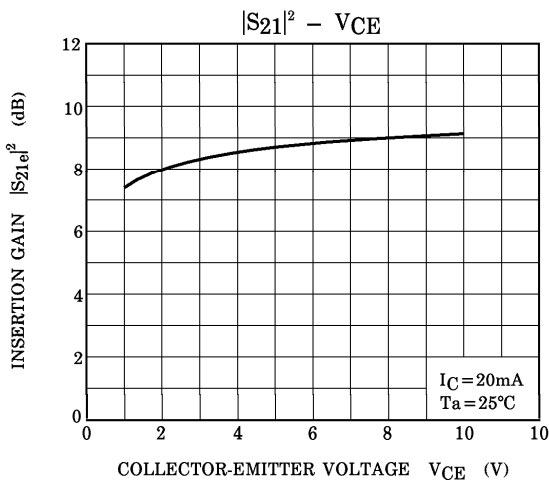
(Note 1) h_{FE} Classification R : 50~100, O : 80~160

(Note 2) C_{re} is measured by 3 terminal method with capacitance bridge.

961001EAA2

- TOSHIBA is continually working to improve the quality and the reliability of its products. Nevertheless, semiconductor devices in general can malfunction or fail due to their inherent electrical sensitivity and vulnerability to physical stress. It is the responsibility of the buyer, when utilizing TOSHIBA products, to observe standards of safety, and to avoid situations in which a malfunction or failure of a TOSHIBA product could cause loss of human life, bodily injury or damage to property. In developing your designs, please ensure that TOSHIBA products are used within specified operating ranges as set forth in the most recent products specifications. Also, please keep in mind the precautions and conditions set forth in the TOSHIBA Semiconductor Reliability Handbook.
- The information contained herein is presented only as a guide for the applications of our products. No responsibility is assumed by TOSHIBA CORPORATION for any infringements of intellectual property or other rights of the third parties which may result from its use. No license is granted by implication or otherwise under any intellectual property or other rights of TOSHIBA CORPORATION or others.
- The information contained herein is subject to change without notice.





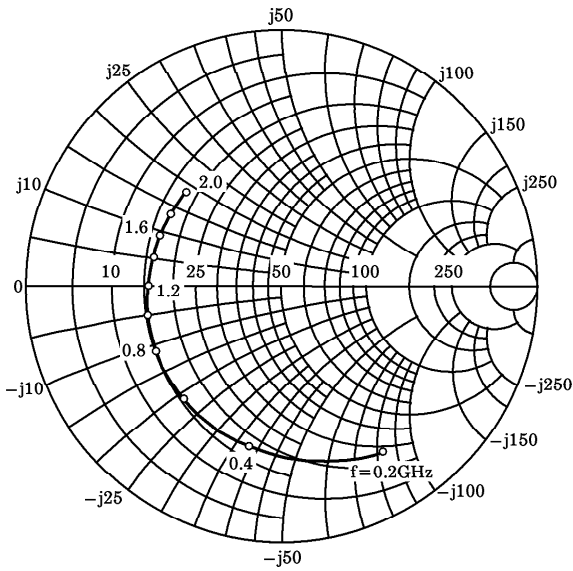
S-Parameter $Z_0 = 50\Omega$, $T_a = 25^\circ\text{C}$
 $V_{CE} = 8\text{V}$, $I_C = 5\text{mA}$

frequency (MHz)	S11		S21		S12		S22	
	Mag.	Ang.	Mag.	Ang.	Mag.	Ang.	Mag.	Ang.
200	0.767	-58.9	12.888	143.5	0.049	62.8	0.856	-34.5
400	0.655	-102.2	9.480	119.3	0.073	48.7	0.663	-57.5
600	0.605	-130.0	7.087	104.6	0.086	43.1	0.535	-72.7
800	0.567	-150.4	5.577	93.9	0.093	40.7	0.456	-84.3
1000	0.547	-166.4	4.548	86.0	0.098	41.1	0.407	-93.8
1200	0.533	-179.7	3.798	79.3	0.103	42.5	0.373	-102.4
1400	0.528	169.1	3.268	76.9	0.109	44.1	0.346	-110.3
1600	0.519	158.4	2.856	69.3	0.116	46.6	0.328	-117.4
1800	0.520	148.3	2.551	65.1	0.124	48.9	0.314	-123.0
2000	0.524	138.7	2.290	61.1	0.133	51.1	0.303	-128.3

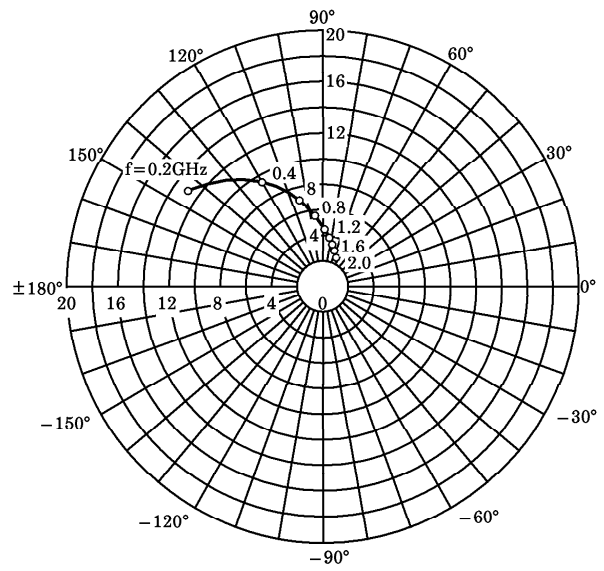
$V_{CE} = 8\text{V}$, $I_C = 20\text{mA}$

frequency (MHz)	S11		S21		S12		S22	
	Mag.	Ang.	Mag.	Ang.	Mag.	Ang.	Mag.	Ang.
200	0.540	-106.8	23.009	123.0	0.033	56.9	0.605	-57.8
400	0.521	-147.5	13.445	102.7	0.045	54.9	0.392	-81.2
600	0.521	-167.1	9.277	92.8	0.057	57.9	0.309	-95.5
800	0.525	-178.9	7.029	85.7	0.069	60.0	0.271	-107.3
1000	0.526	-168.8	5.651	80.0	0.082	62.5	0.250	-117.9
1200	0.529	-158.7	4.688	75.6	0.094	63.4	0.236	-127.6
1400	0.531	-148.5	4.011	71.6	0.106	64.5	0.225	-136.2
1600	0.536	-140.4	3.531	68.1	0.119	65.1	0.214	-143.8
1800	0.539	-131.7	3.159	64.7	0.133	65.5	0.201	-149.8
2000	0.540	-122.8	2.842	61.8	0.147	65.7	0.190	-154.8

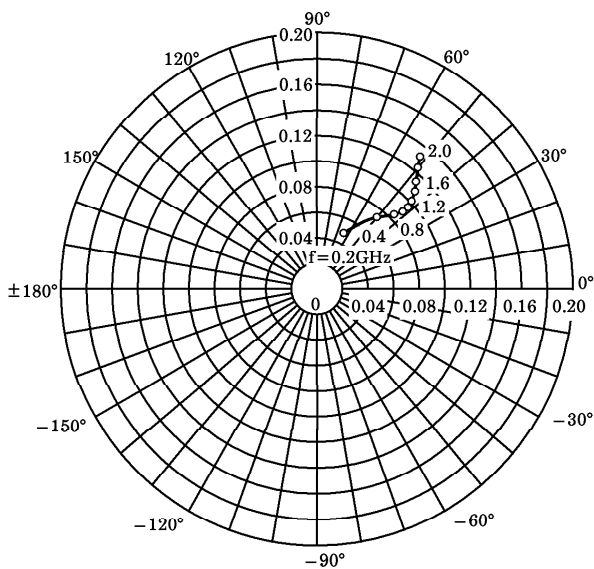
S_{11e}
 V_{CE}=8V
 I_C=5mA
 T_a=25°C
 (Unit : Ω)



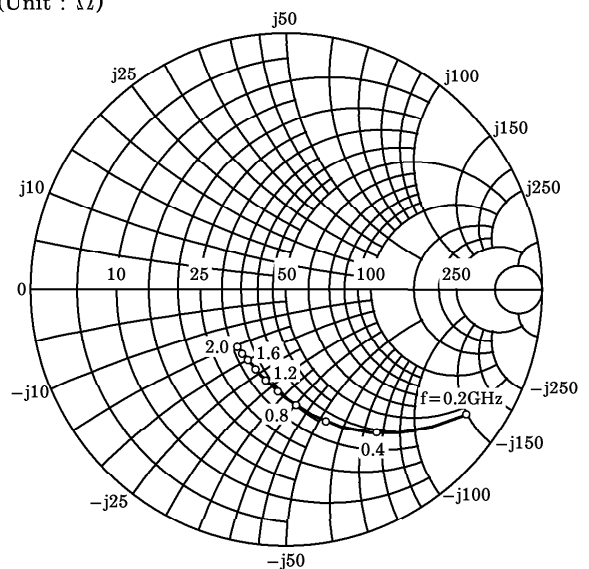
S_{21e}
 V_{CE}=8V
 I_C=5mA
 T_a=25°C



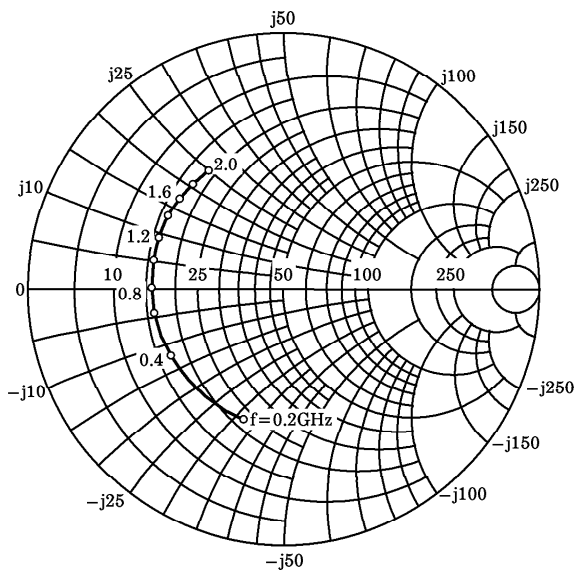
S_{12e}
 V_{CE}=8V
 I_C=5mA
 T_a=25°C



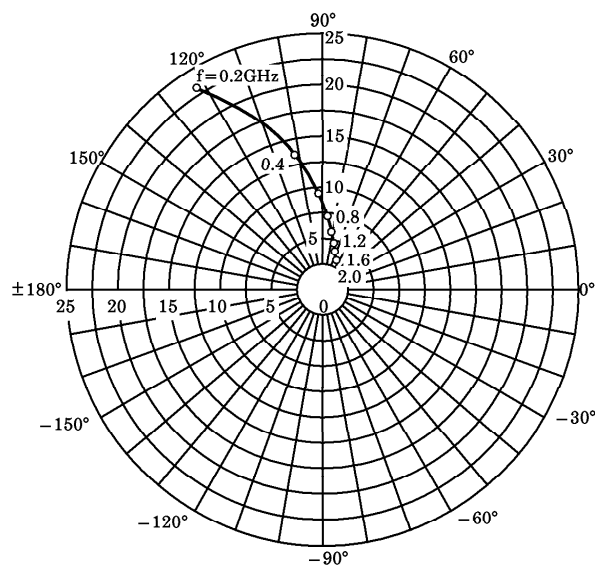
S_{22e}
 V_{CE}=8V
 I_C=5mA
 T_a=25°C
 (Unit : Ω)



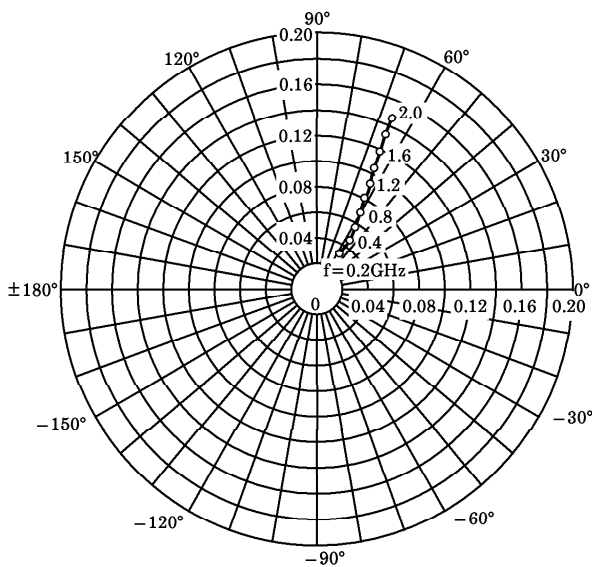
S_{11e}
 V_{CE} = 8V
 I_C = 20mA
 T_a = 25°C
 (Unit : Ω)



S_{21e}
 V_{CE} = 8V
 I_C = 20mA
 T_a = 25°C



S_{12e}
 V_{CE} = 8V
 I_C = 20mA
 T_a = 25°C



S_{22e}
 V_{CE} = 8V
 I_C = 20mA
 T_a = 25°C
 (Unit : Ω)

