

75 Ω VIDEO LINE DRIVER

FEATURES

- Fixed Gain (6 dB)
- Internal 75 Ω Drivers
- Very Small Output Capacitor Using SAG Function Pin
- Internal Clamping Circuit
- Single +5 V Power Supply Operation

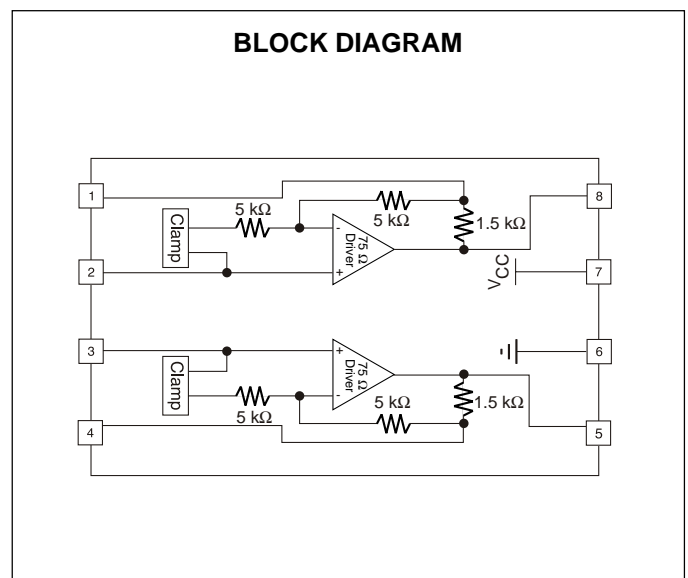
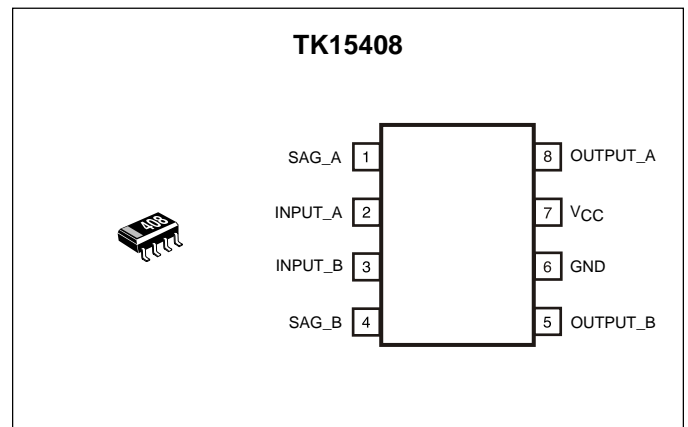
APPLICATIONS

- Video Equipment
- Digital Cameras
- CCD Cameras
- TV Monitors
- Video Tape Recorders
- LCD Projectors

DESCRIPTION

Operating from a single +5 V supply, the TK15408 is a dual video driver IC that takes standard video signals as analog inputs and provides buffered analog outputs for driving 150 Ω loads (series 75 Ω resistor and 75 Ω cable load). Both amplifiers have a fixed gain of 6 dB with internal clamping circuits. Each input is clamped at 1.29 V and amplified 6 dB to produce 2 V_{P-P} (typical) into a series 75 Ω resistor and 75 Ω cable load. The internal 1.5 k SAG function resistors provide gain compensation for low frequency signals. Nominal power dissipation (no input) is typically 76 mW. The TK15408 is ideally suited for S-VHS systems.

The TK15408M is available in the very small SOT23L-8 surface mount package.



ORDERING INFORMATION

TK15408M □□

Tape/Reel Code

TAPE/REEL CODE
TL: Tape Left

TK15408

ABSOLUTE MAXIMUM RATINGS

Supply Voltage 6 V Storage Temperature Range -55 to +150 °C
Operating Voltage Range 4.5 to 5.5 V Operating Temperature Range -25 to +75 °C
Power Dissipation (Note 1) 200 mW

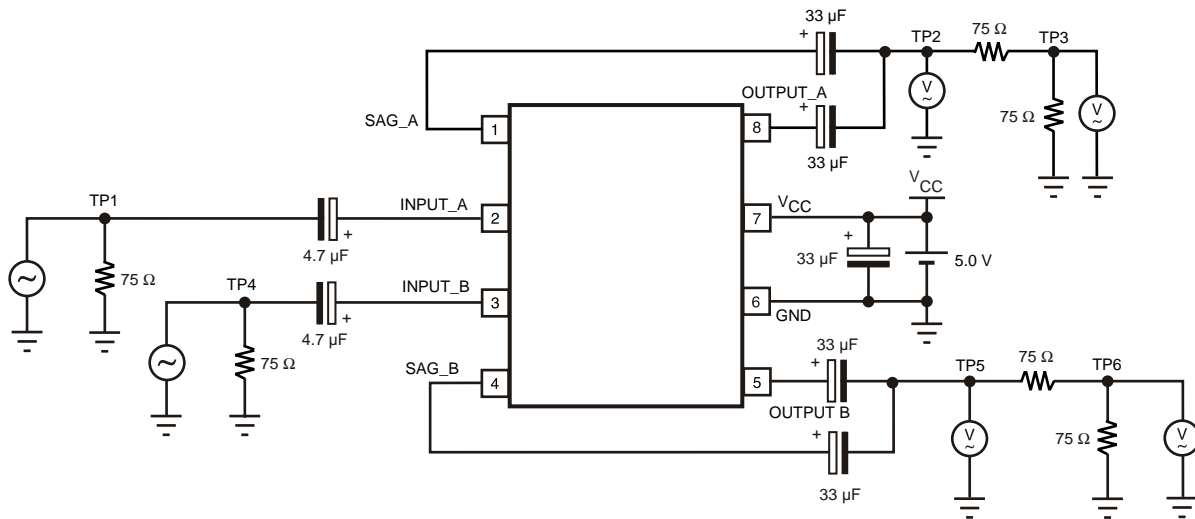
TK15408M ELECTRICAL CHARACTERISTICS

Test conditions: $V_{CC} = 5.0\text{ V}$, $V_{IN} = 1.0\text{ V}_{P-P}$, $R_L = 150\ \Omega$, $T_A = 25\ ^\circ\text{C}$ unless otherwise specified.

SYMBOL	PARAMETER	TEST CONDITIONS	MIN	TYP	MAX	UNITS
I_{CC}	Supply Current	No input		15.1	21.0	mA
V_{CMP}	Clamp Voltage	Pin 2, Pin 3 Input terminal	1.10	1.29	1.50	V
GVA	Voltage Gain	$f_{in} = 1\text{ MHz}$	5.2	5.7	6.2	dB
DG	Differential Gain	Staircase signal input	-3.0	+0.6	+3.0	%
DP	Differential Phase	Staircase signal input	-3.0	-0.1	+3.0	deg
fr	Frequency Response	$f_{in} = 1\text{ MHz} / 5\text{ MHz}$		-0.3		dB

Note 1: Power dissipation is 200 mW in free air. Derate at 1.6 mW/°C for operation above 25°C.

TEST CIRCUIT



MEASUREMENT METHOD

1. Supply Current (I_{CC})

The Pin 7 current is measured with no input signal.

2. Clamp Voltage (V_{CMP})

The DC voltage at Pin 2 (Pin 3) is measured with no input signal.

3. Voltage Gain (GVA)

The voltage gain equation is as follows:

$$GVA = 20 \log_{10} V2/V1$$

Where $V1$ is the input voltage at TP1 (TP4) and $V2$ is the measured voltage at TP2 (TP5).

4. Differential Gain (DG)

The differential gain is measured at TP3 (TP6) when a staircase waveform of 10 steps is applied to TP1 (TP4).

5. Differential Phase (DP)

The differential phase is measured at TP3 (TP6) when a staircase waveform of 10 steps is applied to TP1 (TP4).

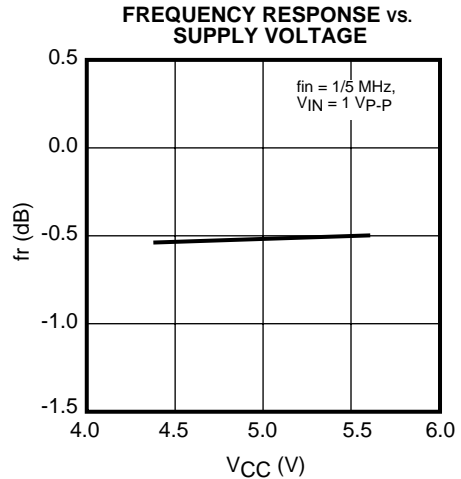
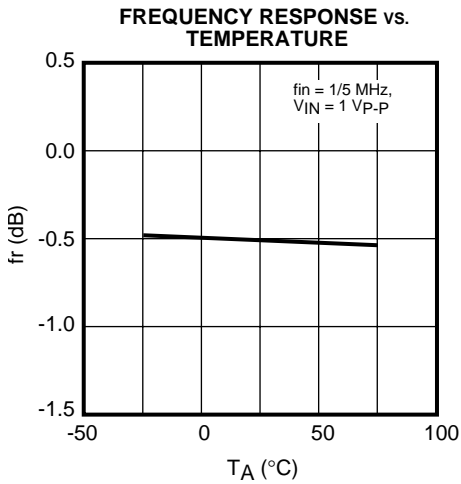
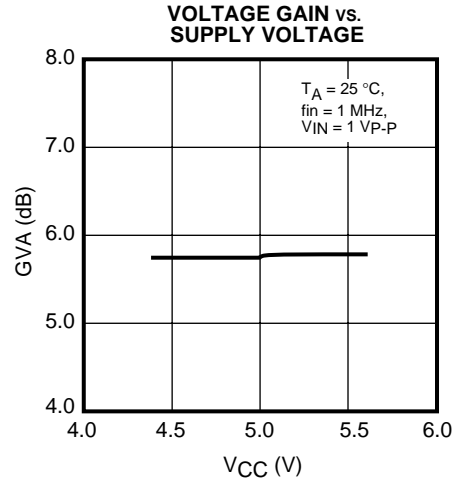
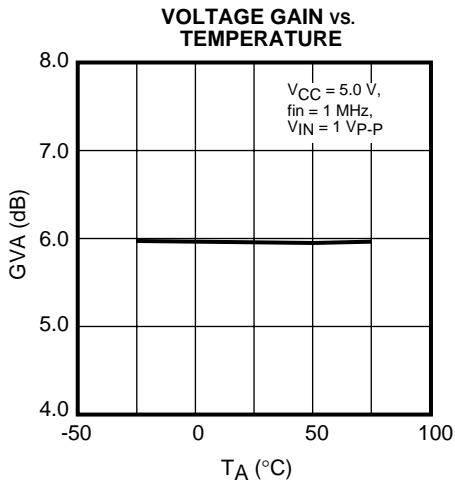
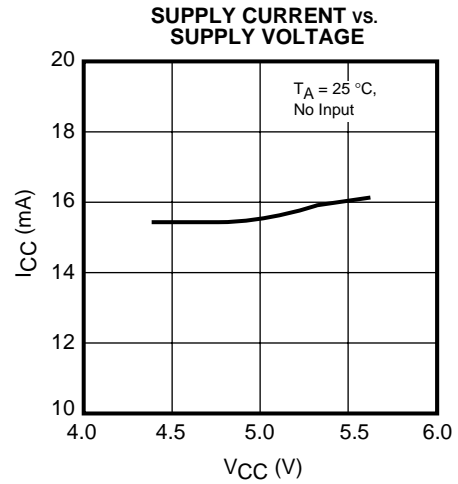
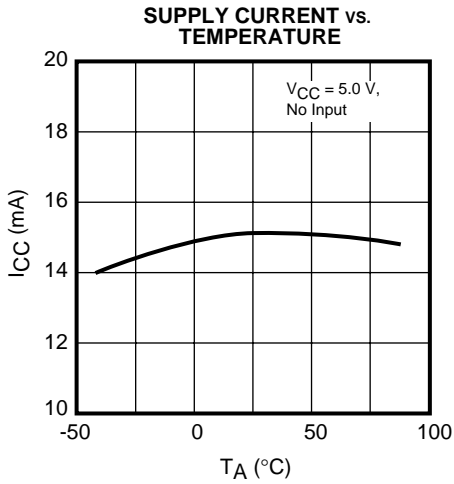
6. Frequency Response (fr)

The frequency response equation is as follows:

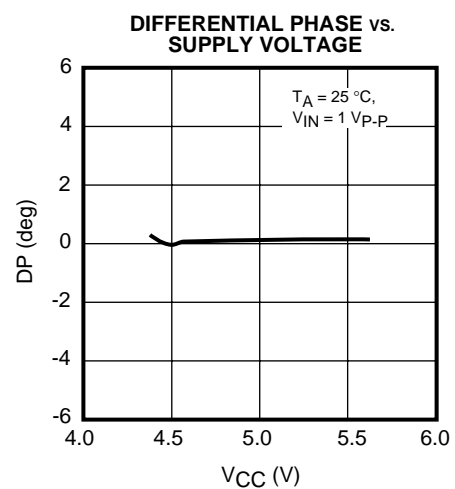
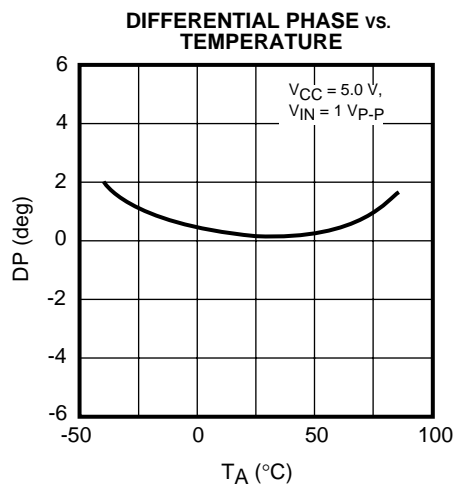
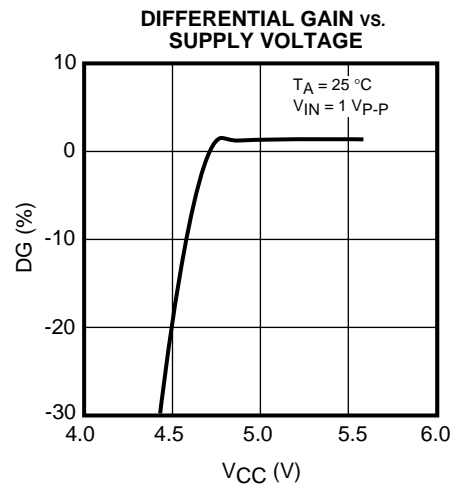
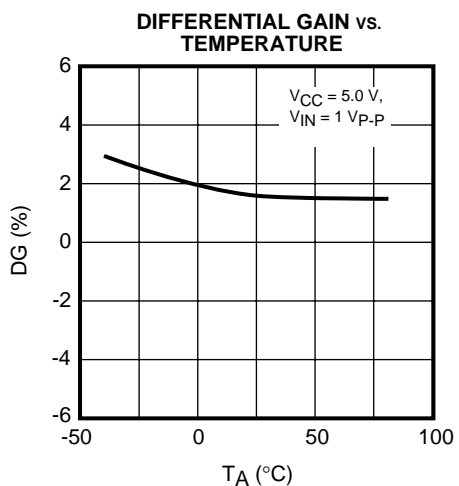
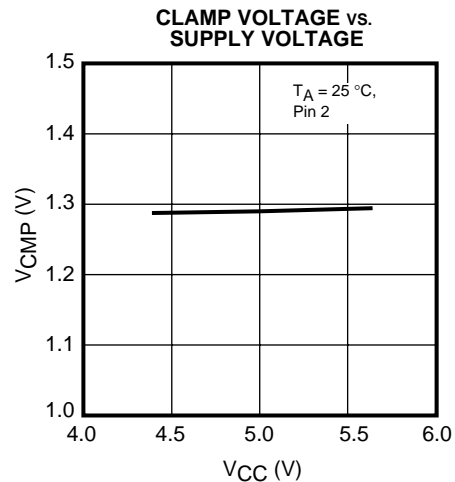
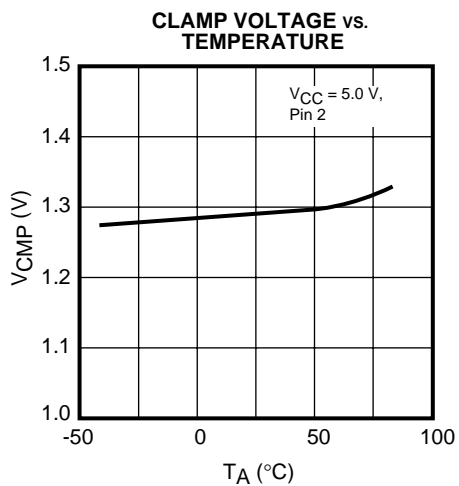
$$fr = 20 \log_{10} V2/V1$$

Where $V1$ is the measured TP3 (TP6) voltage when the TP1 (TP4) input frequency is set to 1 MHz and $V2$ is the measured TP3 (TP6) voltage when the TP1 (TP4) input frequency is set to 5 MHz.

TYPICAL PERFORMANCE CHARACTERISTICS



TYPICAL PERFORMANCE CHARACTERISTICS (CONT.)

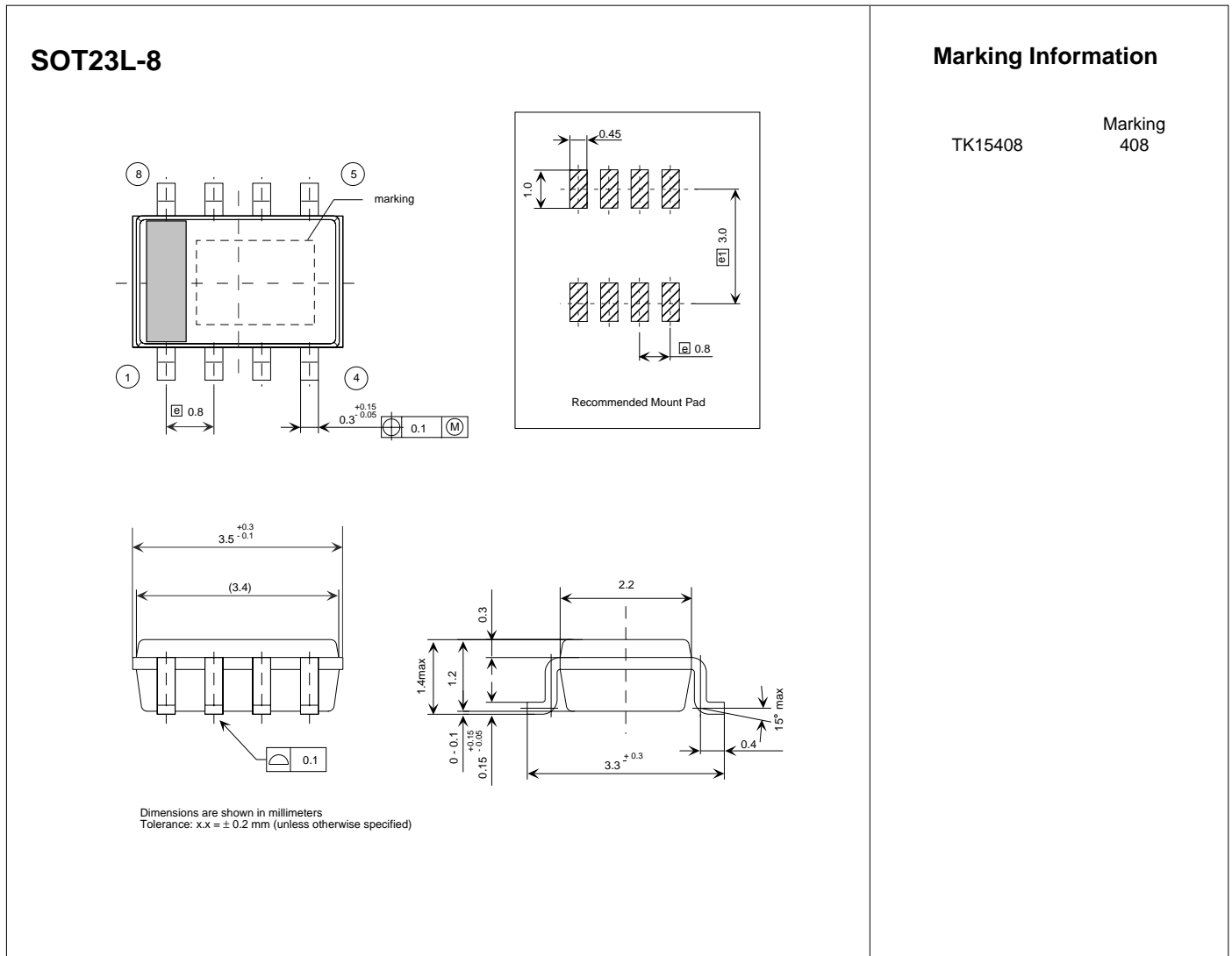


PIN FUNCTION DESCRIPTIONS

TERMINAL			INTERNAL EQUIVALENT CIRCUIT	DESCRIPTION
PIN NO.	SYMBOL	VOLTAGE		
8 1	OUTPUT_A SAG_A	1.6 V 1.4 V		<p>Pin 8: Output A terminal. The output A is available to drive 75 Ω + 75 Ω load.</p> <p>Pin 1: SAG A terminal</p>
2	INPUT_A	1.3 V		<p>Input A terminal. The luminance input signal is clamped at 1.29 V.</p>
3	INPUT_B	1.3 V		<p>Input B terminal. The luminance input signal is clamped at 1.29 V.</p>
4 5	SAG_B OUTPUT_B	1.4 V 1.6 V		<p>Pin 5: Output B terminal. The output B is available to drive 75 Ω + 75 Ω load.</p> <p>Pin 4: SAG B terminal.</p>
6	GND	GND		GND terminal.
7	V _{CC}	V _{CC}		Power Supply terminal.

NOTES

PACKAGE OUTLINE



Toko America, Inc. Headquarters
1250 Feehanville Drive, Mount Prospect, Illinois 60056
Tel: (847) 297-0070 Fax: (847) 699-7864

TOKO AMERICA REGIONAL OFFICES

Midwest Regional Office
Toko America, Inc.
1250 Feehanville Drive
Mount Prospect, IL 60056
Tel: (847) 297-0070
Fax: (847) 699-7864

Western Regional Office
Toko America, Inc.
2480 North First Street, Suite 260
San Jose, CA 95131
Tel: (408) 432-8281
Fax: (408) 943-9790

Eastern Regional Office
Toko America, Inc.
107 Mill Plain Road
Danbury, CT 06811
Tel: (203) 748-6871
Fax: (203) 797-1223

Semiconductor Technical Support
Toko Design Center
4755 Forge Road
Colorado Springs, CO 80907
Tel: (719) 528-2200
Fax: (719) 528-2375

Visit our Internet site at <http://www.tokoam.com>

The information furnished by TOKO, Inc. is believed to be accurate and reliable. However, TOKO reserves the right to make changes or improvements in the design, specification or manufacture of its products without further notice. TOKO does not assume any liability arising from the application or use of any product or circuit described herein, nor for any infringements of patents or other rights of third parties which may result from the use of its products. No license is granted by implication or otherwise under any patent or patent rights of TOKO, Inc.