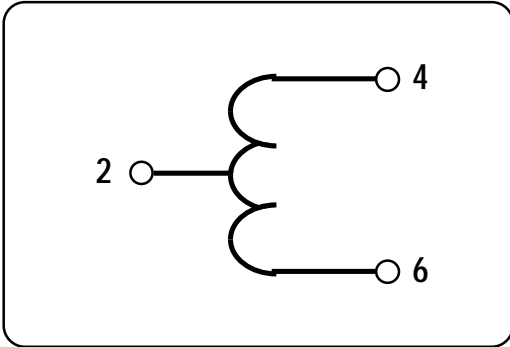


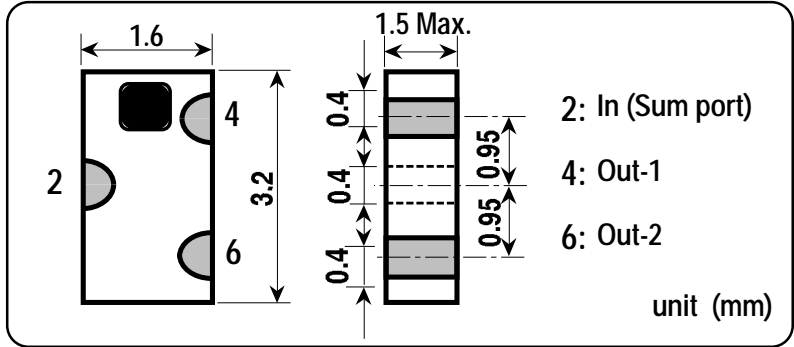
200 / 300 MHz Band Chip 0 deg. Splitter / Combiner

Model No. FSTH-24R-[]

Equivalent Circuits



Shape & Size

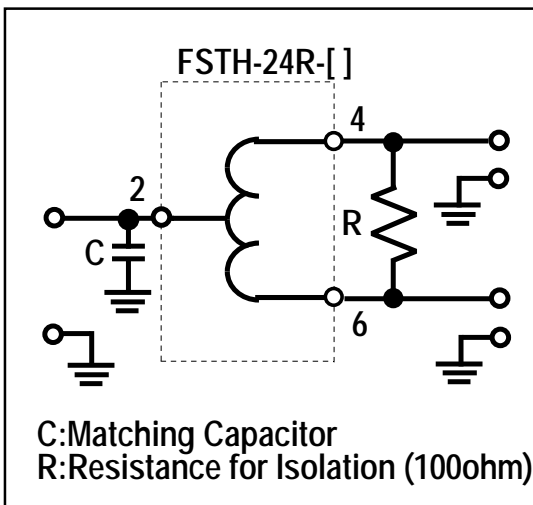


Specifications

P/N	Frequency Range(MHz)	Matching Capacitor	Insertion Loss	Isolation	Return Loss	Handling Power	Temperature Range
FSTH-24R-1	220-260	11pF	1dB Max.	12dB Min.	9.5dB Min.	1W Max.	-35 ~ +85 deg.C
FSTH-24R-2	250-280	8pF	(0.3dB Typ.) *1	(18dB Typ.)	(17.7dB Typ.)		

*1 Not include Splitting Loss (3dB)

Measurement Circuit



Typical Data

