

FSAL200

Wide Bandwidth Quad 2:1 Analog Multiplexer/Demultiplexer Switch

General Description

The Fairchild Switch FSAL200 is a rail-to-rail quad 2:1 high-speed CMOS TTL-compatible analog multiplexer/demultiplexer switch. The low On Resistance of the switch allows inputs to be connected to outputs without adding propagation delay or generating additional ground bounce noise.

When \overline{OE} is LOW, the select pin connects the A Port to the selected B Port output. When \overline{OE} is HIGH, the switch is OPEN and a high-impedance state exists between the two ports.

Features

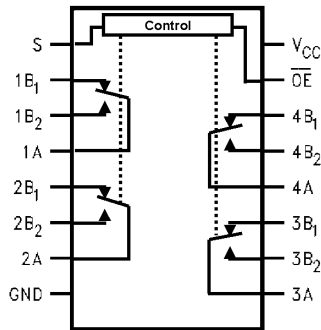
- Typical 6Ω switch connection between two ports
- Minimal propagation delay through the switch
- Low I_{CC}
- Zero bounce in flow-through mode
- Control inputs compatible with TTL level
- Rail-to-rail signal handling
- Low insertion loss
- Route communications signals including:
 - 10/100 Ethernet
 - USB1.1
 - 100VG-AnyLAN
 - Token Ring 4/16 Mbps
 - ATM25
 - SONET OCI 51.8 Mbps
 - T1/E1

Ordering Code:

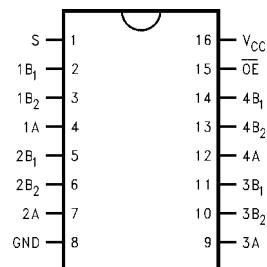
Order Number	Package Number	Package Description
FSAL200QSC	MQA16	16-Lead Quarter Size Outline Package (QSOP), JEDEC MO-137, 0.150" Wide

Device also available in Tape and Reel. Specify by appending suffix letter "X" to the ordering code.

Analog Symbol



Connection Diagram



Truth Table

S	\overline{OE}	Function
X	H	Disconnect
L	L	A = B ₁
H	L	A = B ₂

Pin Descriptions

Pin Name	Description
\overline{OE}	Switch Enable
S	Select Input
A, B ₁ , B ₂	Data Port

Absolute Maximum Ratings (Note 1)

Supply Voltage (V_{CC})	-0.5V to +7.0V
DC Switch Voltage (V_S) (Note 2)	-0.5V to V_{CC} +0.5V
DC Input Voltage (V_{IN}) (Note 2)	-0.5V to +7.0V
DC Input Diode Current (I_{IK}) @ (I_{IK}) $V_{IN} < 0V$	-50 mA
DC Output Current (I_{OUT})	120 mA
DC V_{CC} or Ground Current (I_{CC}/I_{GND})	± 100 mA
Storage Temperature Range (T_{STG})	-65°C to +150°C
Power Dissipation (P_D) @ +85°C	0.5 W
Ambient Temperature with Power Applied	-40°C to +85°C

Recommended Operating Conditions (Note 3)

Supply Voltage Operating (V_{CC})	3.0V to 5.5V
Control Input Voltage (V_{IN})	0V to V_{CC}
Switch Input Voltage (V_{IN})	0V to V_{CC}
Output Voltage (V_{OUT})	0V to V_{CC}
Operating Temperature (T_A)	-40°C to +85°C
Input Rise and Fall Time (t_r, t_f)	
Control Input $V_{CC} = 2.3V - 3.6V$	0 ns/V to 10 ns/V
Control Input $V_{CC} = 4.5V - 5.5V$	0 ns/V to 5 ns/V
Thermal Resistance (θ_{JA})	350°C/W

Note 1: Absolute maximum ratings are DC values beyond which the device may be damaged or have its useful life impaired. The datasheet specifications should be met, without exception, to ensure that the system design is reliable over its power supply, temperature, and output/input loading variables. Fairchild does not recommend operation outside datasheet specifications.

Note 2: The input and output negative voltage ratings may be exceeded if the input and output diode current ratings are observed.

Note 3: Control input must be held HIGH or LOW, it must not float.

DC Electrical Characteristics

Symbol	Parameter	V_{CC} (V)	$T_A = -40^\circ\text{C to } +85^\circ\text{C}$			Units	Conditions
			Min	Typ	Max		
V_{IH}	HIGH Level Input Voltage	4.5 - 5.5 3.0 - 3.6	2.0			V	
V_{IL}	LOW Level Input Voltage	4.5 - 5.5 3.0 - 3.6	-0.5 -0.5			V	
I_{OZ}	OFF State Leakage Current	0 - 5.5	100			nA	$0 \leq V_{IN} \leq 5.5V$
R_{ON}	Switch On Resistance (Note 4)	4.5 - 5.5 3.0 - 3.6	6 15			Ω	$I_{ON} = 10 - 30$ mA $I_{ON} = 10 - 30$ mA
I_{IN}	Control Input Leakage Current	5.5 3.6	± 1 ± 1			μA	$V_{IN} = V_{CC}$ or GND $V_{IN} = V_{CC}$ or GND
I_{CC}	Quiescent Supply Current All Channels ON or OFF	5.5	1			μA	$V_{IN} = V_{CC}$ or GND $I_{OUT} = 0$
	Analog Signal Range	V_{CC}	0			V	
ΔR_{ON}	On Resistance Match Between Channels (Note 4)(Note 5)	4.5 - 5.5 3.0 - 3.6	0.4 1			Ω	$I_A = -30$ mA, $V_{Bn} = 3.15$ $I_A = -10$ mA, $V_{Bn} = 2.1$
I_O	Output Current	4.5 - 5.5 3.0 - 3.6	100 80			mA	$B_n, B_{n'}, S = 0V$ to 5V
R_{flat}	On Resistance Flatness (Note 4)(Note 6)	4.5 - 5.5 3.0 - 3.6	3 7			Ω	A, $B_1, B_2 = 0V$ to 5V A, $B_1, B_2 = 0V$ to 5V

Note 4: Measured by the voltage drop between A and B pins at the indicated current through the switch. On Resistance is determined by the lower of the voltages on the two (A or B Ports).

Note 5: $\Delta R_{ON} = R_{ON} \text{ max} - R_{ON} \text{ min}$ measured at identical V_{CC} , temperature and voltage levels.

Note 6: Flatness is defined as the difference between the maximum and minimum value of On Resistance over the specified range of conditions.

AC Electrical Characteristics																																										
Symbol	Parameter	V _{CC} (V)	T _A = -40°C to +85°C			Units	Conditions	Figure Number																																		
			Min	Typ	Max																																					
t _{ON}	Turn On Time S to Output	4.5 - 5.5		10	20	ns	V _{Bn} = 3V	Figures 1, 2																																		
		3.0 - 3.6		28	40	ns	V _{Bn} = 1.5V																																			
t _{OFF}	Turn Off Time S to Output	4.5 - 5.5		5	10	ns	V _{Bn} = 3V	Figures 1, 2																																		
		3.0 - 3.6		4	20	ns	V _{Bn} = 1.5V																																			
Q	Charge Injection (Note 7)	5.0		7		pC	C _L = 0.1 nF, V _{GEN} = 0V R _{GEN} = 0 Ω	Figure 3																																		
		3.3		3																																						
OIRR	Off Isolation (Note 8)	4.5 - 5.5		-55		dB	R _L = 100 Ω f = 30 MHz	Figure 4																																		
		3.0 - 3.6		-75					R _L = 50 Ω f = 1 MHz	Figure 4																																
Xtalk	Crosstalk	4.5 - 5.5		-70		dB	R _L = 100 Ω f = 30 MHz	Figure 5																																		
		3.0 - 3.6		-75					R _L = 50 Ω f = 1 MHz	Figure 5																																
BW	-3dB Bandwidth	4.5 - 5.5		137		MHz	R _L = 100 Ω	Figure 8																																		
		3.0 - 3.6		110					R _L = 50 Ω	Figure 8																																
D	ΔR _{ON/RL} Distortion (Note 7)	4.5 - 5.5		2		%	R _L = 100 Ω																																			
		3.0 - 3.6		3																																						
<p>Note 7: Guaranteed by Design.</p> <p>Note 8: Off Isolation = 20 log₁₀ [V_A / V_{Bn}]</p>																																										
<h3>Capacitance (Note 9)</h3> <table border="1"> <thead> <tr> <th>Symbol</th> <th>Parameter</th> <th>Typ</th> <th>Max</th> <th>Units</th> <th>Conditions</th> <th>Figure Number</th> </tr> </thead> <tbody> <tr> <td>C_{IN}</td> <td>Control Pin Input Capacitance</td> <td>2.3</td> <td></td> <td>pF</td> <td>V_{CC} = 0V</td> <td></td> </tr> <tr> <td rowspan="2">C_{IO-B}</td> <td>B Port Off Capacitance</td> <td>12</td> <td></td> <td>pF</td> <td>V_{CC} = 5.0V and 3.0V</td> <td>Figure 6</td> </tr> <tr> <td>A Port Off Capacitance</td> <td>20</td> <td></td> <td>pF</td> <td>V_{CC} = 5.0V and 3.0V</td> <td>Figure 7</td> </tr> <tr> <td>C_{ON}</td> <td>Channel On Capacitance</td> <td>15</td> <td></td> <td>pF</td> <td>V_{CC} = 5.0V and 3.0V</td> <td>Figure 7</td> </tr> </tbody> </table> <p>Note 9: T_A = +25°C, f = 1 MHz, Capacitance is characterized but not tested in production.</p>									Symbol	Parameter	Typ	Max	Units	Conditions	Figure Number	C _{IN}	Control Pin Input Capacitance	2.3		pF	V _{CC} = 0V		C _{IO-B}	B Port Off Capacitance	12		pF	V _{CC} = 5.0V and 3.0V	Figure 6	A Port Off Capacitance	20		pF	V _{CC} = 5.0V and 3.0V	Figure 7	C _{ON}	Channel On Capacitance	15		pF	V _{CC} = 5.0V and 3.0V	Figure 7
Symbol	Parameter	Typ	Max	Units	Conditions	Figure Number																																				
C _{IN}	Control Pin Input Capacitance	2.3		pF	V _{CC} = 0V																																					
C _{IO-B}	B Port Off Capacitance	12		pF	V _{CC} = 5.0V and 3.0V	Figure 6																																				
	A Port Off Capacitance	20		pF	V _{CC} = 5.0V and 3.0V	Figure 7																																				
C _{ON}	Channel On Capacitance	15		pF	V _{CC} = 5.0V and 3.0V	Figure 7																																				

AC Loading and Waveforms

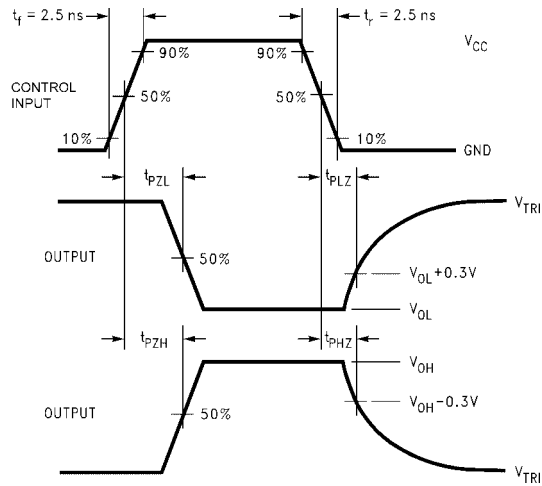


FIGURE 1. AC Waveforms

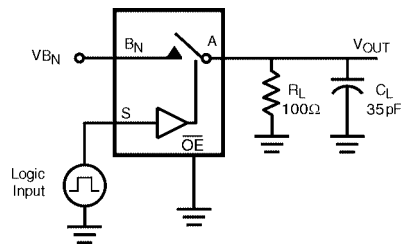


FIGURE 2. t_{ON} , t_{OFF} Loading

AC Loading and Waveforms (Continued)

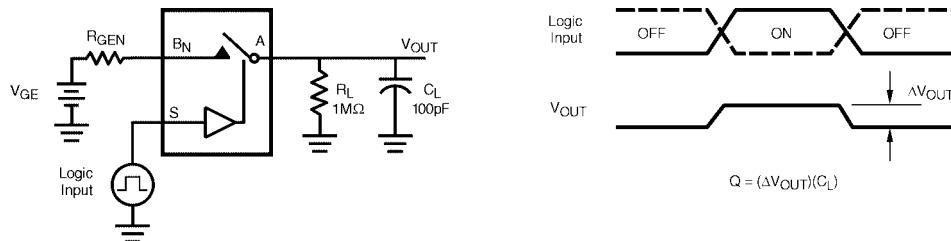


FIGURE 3. Charge Injection Test

Note: $R_L = 50 \Omega$ when $V_{CC} = 3.3 \pm 10\%$ for the Off Isolation, Crosstalk and Bandwidth test.

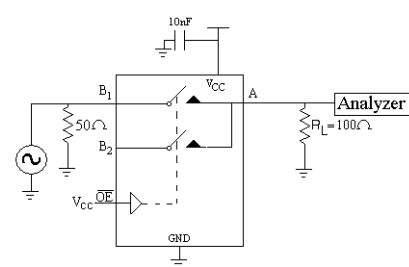


FIGURE 4. Off Isolation

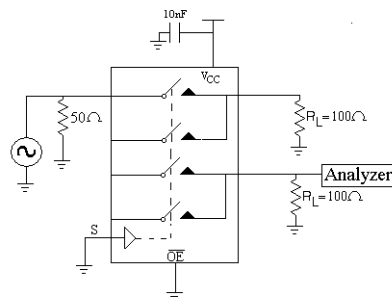


FIGURE 5. Crosstalk

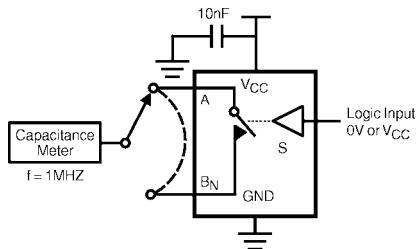


FIGURE 6. Channel Off Capacitance

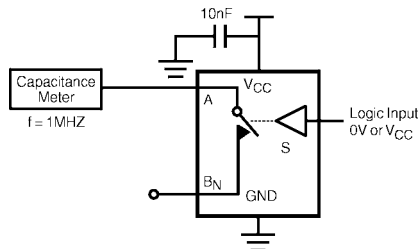


FIGURE 7. Channel On Capacitance

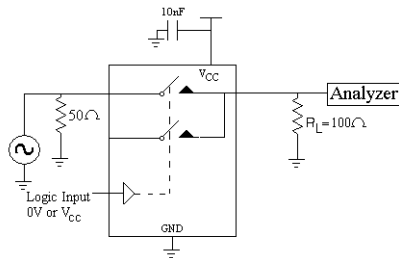
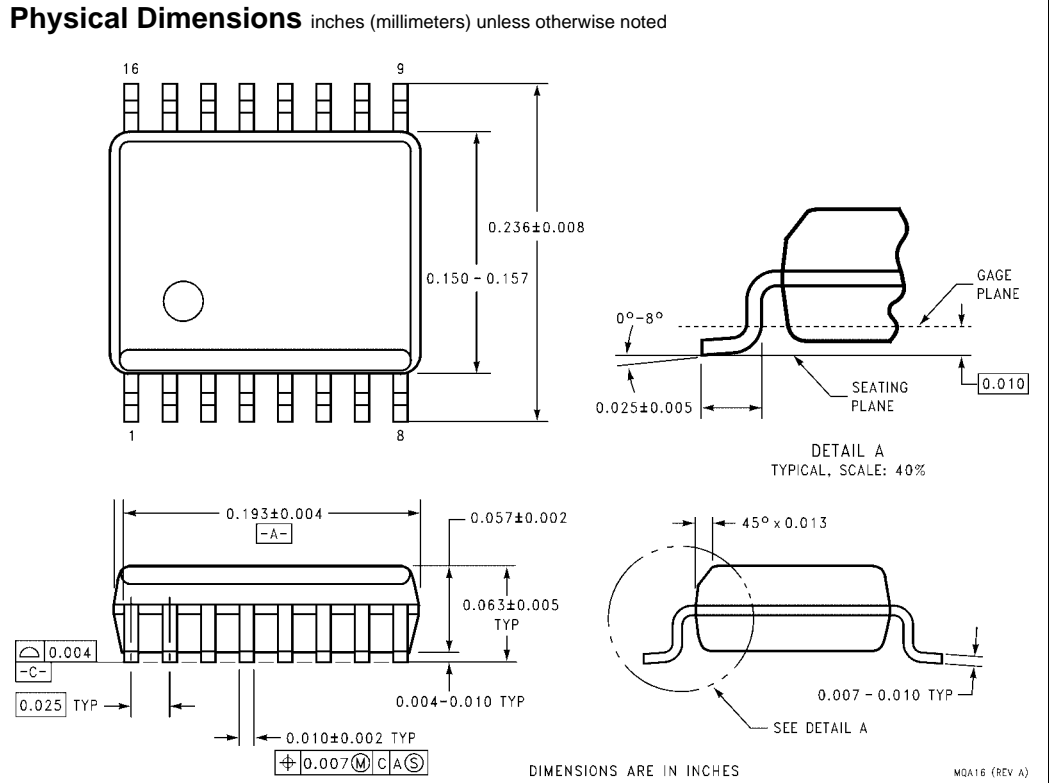


FIGURE 8. Bandwidth



**16-Lead Quarter Size Outline Package (QSOP), JEDEC MO-137, 0.150" Wide
Package Number MQA16**

Fairchild does not assume any responsibility for use of any circuitry described, no circuit patent licenses are implied and Fairchild reserves the right at any time without notice to change said circuitry and specifications.

LIFE SUPPORT POLICY

FAIRCHILD'S PRODUCTS ARE NOT AUTHORIZED FOR USE AS CRITICAL COMPONENTS IN LIFE SUPPORT DEVICES OR SYSTEMS WITHOUT THE EXPRESS WRITTEN APPROVAL OF THE PRESIDENT OF FAIRCHILD SEMICONDUCTOR CORPORATION. As used herein:

1. Life support devices or systems are devices or systems which, (a) are intended for surgical implant into the body, or (b) support or sustain life, and (c) whose failure to perform when properly used in accordance with instructions for use provided in the labeling, can be reasonably expected to result in a significant injury to the user.
2. A critical component in any component of a life support device or system whose failure to perform can be reasonably expected to cause the failure of the life support device or system, or to affect its safety or effectiveness.

www.fairchildsemi.com